

THE JOURNEY TO WORK  
A SINGULAR BASIS FOR TRAVEL  
PATTERN SURVEYS

NOVEMBER 1967

NO. 29

by

G. A. SHUNK

Joint  
Highway  
Research  
Project

PURDUE UNIVERSITY  
LAFAYETTE INDIANA



Progress Report

THE JOURNEY TO WORK:

A SINGULAR BASIS FOR TRAVEL SYSTEM STUDIES

To: G. A. Leonard, Director  
Joint Highway Research Project

November 28, 1961

From: H. E. Michael, Associate Director  
Joint Highway Research Project

File No. 347-2

Project No. G-31-2-D

The attached Progress Report for 1961 of Part I, subject "Urban Transportation Planning Problems", summarizes the findings and comments. The report is a first step in developing a singular basis for travel system studies. It was prepared by Charles A. Stark under the direction of Leonard and Michael.

This progress report summarizes the work done in 1961 under Part I of the project. The report includes a summary of the findings of the research, a list of the major findings, and a list of the major problems. It also includes a list of the major findings and a list of the major problems. It is proposed following review of the report by the appropriate agencies.

The research reported here is based on the use of work trip data from the Indianapolis area. The data are prepared on the basis of total travel patterns and not on the basis of the identification of work trip data. The report also includes a list of the major findings and a list of the major problems. It is proposed following review of the report by the appropriate agencies.

The report is presented for review and comment and for the record. It will be forwarded to the appropriate agencies for their purposes.

Respectfully,  
*H. E. Michael*  
Associate Director

Enclosure

Attachment

- |       |                |           |        |
|-------|----------------|-----------|--------|
| Copy: | F. L. Anderson | F. O. ... | F. ... |
|       | W. L. ...      | J. ...    | B. ... |
|       | W. E. ...      | W. ...    | L. ... |
|       | W. L. ...      | J. ...    | S. ... |
|       | G. K. ...      | C. ...    | F. ... |
|       | H. E. ...      | L. ...    | R. ... |
|       |                | J. ...    |        |



Progress Report

THE JOURNEY TO WORK:  
A SIMILAR BASIS FOR TRAVEL PATTERN SURVEYS

by

Gordon A. Stunk  
Graduate Instructor in Research

Joint Highway Research Project

Project No. G-30-69B

File No. 547-2

Prepared as Part of an Investigation

Conducted by

Joint Highway Research Project  
Engineering Experiment Station  
Purdue University

in cooperation with the

Indiana State Highway Commission

and the

U.S. Department of Transportation  
Federal Highway Administration  
Bureau of Public Roads

The opinions, findings and conclusions expressed in this publication are those of the authors and not necessarily those of the Bureau of Public Roads.

Not Released for Publication

Subject to Change

Not Reviewed By  
Indiana State Highway Commission  
or the  
Bureau of Public Roads

Purdue University  
Lafayette, Indiana  
November 23, 1967



## ACKNOWLEDGMENTS

The author wishes to express his most sincere appreciation to Professor William L. Grecco for his encouragement and guidance in the conception and execution of this research. Professor Grecco's assistance in review of the manuscript was also most valuable.

The assistance of Professor Virgil L. Anderson in development of the statistical analysis and review of the manuscript was very much appreciated. Thanks is also due to Professor Harold L. Michael for the opportunity to undertake this work and for his review of the manuscript.

The author wishes to thank the Joint Highway Research Project of Purdue University and the Indiana State Highway Commission for the financial assistance which, together with the support of the Bureau of Public Roads of the U. S. Department of Transportation, made this research possible.

Thanks is also given to personnel of the Bureau of Public Roads, Barton-Aschmann and Associates, and Vogt-Ivers and Associates for their assistance in the preparation of data for analysis.

Greatest appreciation is extended to the author's wife for her patient encouragement and assistance, and to his son, Stephen, for his inspiration.

Digitized by the Internet Archive  
in 2011 with funding from  
LYRASIS members and Sloan Foundation; Indiana Department of Transportation



## TABLE OF CONTENTS

	Page
LIST OF TABLES.....	iv
LIST OF FIGURES.....	vii
ABSTRACT.....	viii
CHAPTER I. URBAN TRANSPORTATION PLANNING.....	1
CHAPTER II. DEVELOPMENT OF THE THESIS.....	13
CHAPTER III. PROPOSAL OF THE HYPOTHESES.....	29
CHAPTER IV. DATA PREPARATION PROCEDURES.....	42
CHAPTER V. ANALYTICAL PROCEDURES.....	56
CHAPTER VI. ANALYTICAL RESULTS.....	71
CHAPTER VII. APPLICATION OF THE METHOD.....	90
CHAPTER VIII. CONCLUSIONS.....	96
CHAPTER IX. RECOMMENDED EXTENSIONS AND RESEARCH.....	98
LIST OF REFERENCES.....	100
APPENDIX A.....	105
APPENDIX B.....	123
APPENDIX C.....	139
VITA.....	151



## LIST OF TABLES

Table	Page
1. Data from Home-Interview Trip Record (No. 2 Card) Used in Various Stages of the Analysis.....	43
2. Analysis of Variance for Freeway L.R.I.....	74
3. Analysis of Variance for Arterial L.R.I.....	75
4. Simple Regression Analysis.....	78
5. Parameters and Coefficients Multiple Linear Regression Selected Predictors Normal Dependent Conditions Entire Street System (FAC).....	84
6. Parameters and Coefficients Multiple Linear Regression Selected Predictors Special Dependent Conditions Entire Street System (FAC)...	85
7. Parameters and Coefficients Multiple Linear Regression Selected Predictors Normal Predicted Situations Freeway and Arterial Classes (FA).....	86
8. Parameters and Coefficients Multiple Linear Regression Selected Predictors Special Predicted Situations Freeway and Arterial Classes (FA).....	87
9. Relative Cost in Hours of Three Alternative Survey Procedures.....	94
Appendix	
Table	
A1. Analysis of Variance for Travel Volume.....	107
A2. Analysis of Variance for Average Trip Length.....	108
A3. Kolmogorov-Smirnov Test for Normality Maximum Differences for MOD-2 L.R.I.....	109
A4. Bartlett's Test for Variance Homogeneity Chi-Square for MOD-2 L.R.I.....	110



## LIST OF TABLES (continued)

Appendix Table	Page
A5. Significance Order and Related Parameters Multiple Linear Regression Prediction of Total Day Vehicle Trips (DV) All Street Classes and Combinations.....	111
A6. Significance Order and Related Parameters Multiple Linear Regression Prediction of Total Day Person Trips (DP) All Street Classes and Combinations.....	112
A7. Significance Order and Related Parameters Multiple Linear Regression Prediction of Peak Hour Vehicle Trips (HV) All Street Classes and Combinations.....	113
A8. Significance Order and Related Parameters Multiple Linear Regression Prediction of Peak Hour Person Trips (HP) All Street Classes and Combinations.....	114
A9. Proportion of Explained Variation ( $R^2$ ) Multiple Linear Regression Selected Predictors Normal Prediction Situations All Street Classes and Combinations.....	115
A10. Standard Error of Estimate (S.E.) Multiple Linear Regression Selected Predictors Normal Prediction Situations All Street Classes and Combinations.....	116
A11. Coefficient of Variation (C.V.) Multiple Linear Regression Selected Predictors Normal Prediction Situations All Street Classes and Combinations.....	117
A12. Proportion of Variation Explained ( $R^2$ ) Multiple Linear Regression Prediction of Total Day Vehicle Trips (DV) Peak Hour Person Trips (HP) Based on Total Day Person Trips (DP) All Street Classes and Combinations...	118
A13. Standard Error of Estimate (S.E.) Multiple Linear Regression Prediction of Total Day Vehicle Trips (DV) Peak Hour Person Trips (HP) Based on Total Day Person Trips (DP) All Street Classes and Combinations.....	119



## LIST OF TABLES (continued)

Appendix Table	Page
A14. Coefficient of Variation (C.V.) Multiple Linear Regression Prediction of Total Day Vehicle Trips (DV) Peak Hour Person Trips (HP) Based on Total Day Person Trips (DP) All Street Classes and Combinations.....	120
A15. Proportion of Variation Explained ( $R^2$ ) Multiple Linear Regression Prediction of Peak Hour Vehicle Trips (HV) Three Special Prediction Situations All Street Classes and Combinations.....	121
A16. Standard Error of Estimate (S.E.) Coefficient of Variation (C.V.) Multiple Linear Regression Prediction of Peak Hour Vehicle Trips (HV) Three Special Prediction Situations All Street Classes and Combinations.....	122





## LIST OF FIGURES

Figure	Page
1. The Urban Transportation Planning Process.....	8
2. Developing the Street Network Data.....	49
3. Developing Travel Data.....	51



## ABSTRACT

Shunk, Gordon Arthur. Ph.D., Purdue University, January 1968. THE JOURNEY TO WORK: A SINGULAR BASIS FOR TRAVEL PATTERN SURVEYS. Major Professor: William L. Grecco.

This research involved a study of the feasibility of using the patterns of work trips alone to represent the patterns of travel for all purposes in an urban area. Further, the feasibility of using peak hour travel patterns to represent those of the entire day was investigated. The objective was to develop an approach to travel surveys which would satisfactorily reproduce the results of a conventional home interview survey.

Using data from a 1964 comprehensive transportation survey in Indianapolis, Indiana, an analysis of variance was run to determine the effect of the commonly defined factors, mode, purpose, and time, on trip volume and average trip length. Based on the extremely high significance of all main effects and interactions, a second variance analysis was run to determine the effect of more specific purpose, time, and mode factors on the traffic assigned to the freeway and arterial links of the highway system. The significance of all main effects and a mode-purpose interaction was the basis for regression models accounting for mode, the peak hour, and the work purpose. A high degree of the variation in total



trips on all major street system links was explained by multiple linear regression equations based on link volumes for the work purpose. Using the same regression approach, high degrees of explanation were achieved for total day, all purpose trips using all peak hour trips, and for all peak hour trips using total day work trips.

The results of this research recommend that travel patterns could be represented by surveys at the destination of trips. One of these would involve tabulation of the residence address from employer records. A second would obtain trip information by employee interviews. The third would, in addition, tabulate arrivals at major shopping areas. Decision on the form of the revised procedure would be on the basis of cost and feasibility. This research has provided for the study director alternate procedures for replacing the costly home-interview survey.



## CHAPTER I. URBAN TRANSPORTATION PLANNING

The current condition of intracity transportation systems poses one of the gravest problems faced by urban areas today. The very life of the city depends on the ease with which people and goods can move. The analogy to the human internal circulation system is quite valid. Urban transportation or circulation is highly complex in its own right. But considered in its proper perspective as an integral part of the total function of the urban body, the ramifications of intracity movement are nearly beyond conceivable complexity. Without effective means of moving the necessary nourishment between its organs, the urban complex will stagnate, wither or die. The solution of existing problems and prevention of their recurrence are the objectives of the activity known as urban transportation planning. Properly executed as a concordant phase of a comprehensive urban development program, the implementation of planned transportation improvements can be a major catalyst in the realization of broader social and economic objectives. In a time when the problems of urbanity are of such concern, the possibilities presented by transportation planning are of even more interest than usual (Turner, 1967).

In seeking a solution to any problem, it is well to reflect on just what led to development of the undesirable





situation. The first half of the twentieth century saw marked advances in the technology of nearly every field of endeavor. The advent of improved products and procedures was multiplicative, yielding more than singular results in advancement of the economy. The effects of the advancing economy were passed on to consumers through higher wages and more purchasing power. One of the products of the improved technology was very attractive to the newly affluent. The automobile would permit one to expand his choice of environment by traveling from his place of residence with ease and at relatively low cost. The automobile became a symbol of the affluence of the new economy and the society it fostered. With higher productivity came more leisure time in which to enjoy the benefits of affluence. Time became a more significant factor in everyday life, and means of saving time were important. The automobile permitted one to come and go when he wished and to travel the routes he desired.

There was little problem due to the automobile before World War II. As the economy and technology had advanced to where people could afford the large number of cars being produced, the depression retarded the trend in both phases. Automobile manufacturing during the war was curtailed because of the demand on resources for the defense effort. Following the war, the high level of the economy and increased production capacity combined to produce an explosion in auto sales. The romance with the automobile occurred so rapidly, in fact, that it would veritably defy prediction. The concomitant



increase in traffic volume came much too fast for street improvements to keep pace. By its very nature government is slow to adjust to dynamic situations. But the magnitude of the postwar auto boom left war oriented administrations nearly helpless. The possible problem had been suggested prior to the war (U. S. Congress, 1939) and had even been accounted for in policy as early as 1944 (U. S. Congress, 1944). These documents were primarily concerned with intercity movement. These still reflected an unawareness of the magnitude of the intracity transportation problem. When the auto boom occurred, there were not enough streets to handle the cars, and the traffic problem, as we know it today, had begun.

The traffic problem is not merely one of numbers. Considerably less trouble would occur if existing travel were spread uniformly over time. But the economies of scale that improved productivity also taught the logic of centralized activity which is feasible on a large scale only if adequate transportation is available. Centralized mass production requires simultaneous servicing, thereby demanding that all workers participate in their respective activities at the same time. This fosters the periodic high volumes of traffic which cause the greatest problems for transportation systems.

The magnitude of traffic volumes required new street designs to handle them. The most obvious remedy was to provide additional traffic handling capacity. From this was born the multilane facility and eventually divided expressways. But it was even difficult to design adequate expressways,



since the volume of traffic on them could not be predicted reliably. There were so many deficient streets and the deficiencies were so great that the normal lag time between design and construction increased. This effect was compounded by the greater than expected traffic increase over time. An additional factor causing trouble was the large volume of traffic using new facilities that had not traveled by car before, as well as that diverted from other facilities. All these situations contributed to the immediate overloading so often observed on new urban street facilities.

In 1952 congress launched the first overt attempt to accelerate construction of highways adequate to handle the huge traffic volumes (U. S. Congress, 1952). Following the Korean involvement, in 1956, Congress emphasized the importance of the Interstate System by increasing the rate of government participation in financing to 90 percent of the total cost (U. S. Congress, 1956). It had taken over ten years for Congress to gain sufficient realization of the gravity of the highway traffic problem to make a concerted effort toward its alleviation. The problems in this situation soon became apparent; perhaps it was the very magnitude of the Interstate program which brought out its shortcomings. The amount of money available for construction of the Interstate System permitted such programs as a 10 million dollar per mile freeway through the heart of an urban area. Situations such as this awoke the public to the magnitude of their monster.



Although principally an intercity network, the Interstate System also contained substantial mileage within urban areas. These segments would be used extensively for intracity travel and would have to depend on urban traffic projections for design volume estimates. High quality facilities require much space and would displace considerable amounts of urban activity at commensurately high costs. It was an economic necessity to base design on future traffic volumes considerably more reliable than had previously been available.

Work had begun in the late 1940's to develop a more valid basis for highway design than mere factoring of existing traffic volumes. This work recognized the already apparent inability of projections to cope with the problem of forecasting urban traffic volumes. The new approach considered travel rather than traffic. It looked at traffic volume as merely a minor part of a much more complex universe of entire trips between an origin and a destination for a specific purpose. Travel, it was theorized, could be much more reliably predicted for a future time than could traffic, because there was an inherent basis for growth projection. It was the development of this approach and the realization of the need to plan for highways as an integral part of the community that led to the Federal Aid Highway Act of 1962 (U. S. Congress, 1962). This legislation requires that all urban highways must be designed as part of a comprehensive planning program. Such a program must account for land using activity





and its capability for generating trips. It must predict land use and thereby develop travel patterns for location of facilities and traffic volumes on which size is based. This new approach to traffic volume prediction is commonly termed Urban Transportation Planning (UTP).

The UTP approach to traffic volume prediction examines highways in their proper perspective as an integral part of urban activity. It provides not only volume or dimensional design data but locational information as well. It also considers non-highway modes of transport in order to attain balanced transportation systems. UTP provides more than a mere projection of current travel patterns; it permits modification of historic trends due to variations in development policies. The results of UTP are a much more valid and a firm basis for design of transportation facilities.

UTP is based on surveys of current and historic patterns of travel, development and the economy of the area. The elements of urban activity are isolated by thorough analysis of these survey data. The growth and development characteristics of those elements which influence travel are then established. The character of such elements is readily understood and predictable because of the traditional background of the elements as urban activity parameters. These elements then are projected or predicted to some future target date. Prediction here denotes variation from the results due to simple projection of trends. Based on the future levels of the chosen elements, future travel patterns



are developed for use in design. This procedure takes advantage of the reliable prediction of basic elements for which the growth patterns are known and stable. The relation between these basic elements and travel patterns in the survey year is used, in perhaps a modified form, to determine travel patterns in the target year. The results are based on underlying causal factors and are assumed to be more valid than simple volume projection.

The execution of the UTP process is quite intricate. Figure 1 shows a general diagram of the UTP procedure. It requires detailed study of the urban area and careful design of the respective surveys to account for all important local conditions. The surveys conducted are of varying depth and character. The economic base study surveys the current and historic condition of the local economy, its elements and interactions, strength and potential. The land use survey examines the qualitative and quantitative aspects of activity on every parcel of land in the urban area. It also includes analysis of the reasons for observed development patterns. Population studies determine the several important compositions of the local community. Other surveys may be of interest depending on the background and conditions of the local area.

The most detailed surveys are concerned with travel and the transportation system. The transportation system is inventoried in depth to establish the characteristics of the network of each available mode. The network is defined by



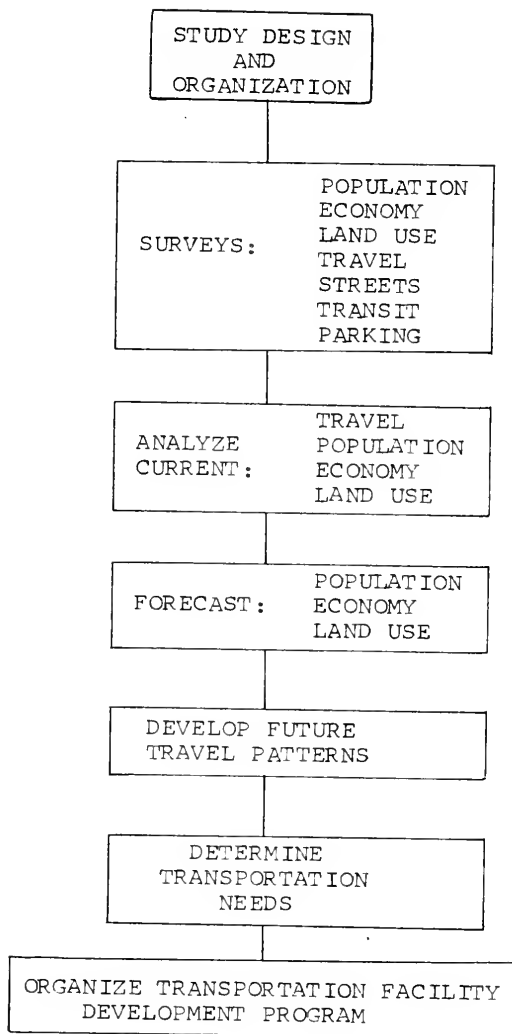


Figure 1. The Urban Transportation Planning Process.



a series of links describing each constituent of the system. Links are paths connecting nodes or junction points of the network. By using a series of links and nodes, any given route, i.e., transit route or street, may be represented in numeric form suitable for analysis. The entire network, be it highway or transit, is a compendium of interlinking and overlapping routes. Access to the network is via centroids located at activity centers termed origins or destinations. The network inventory not only establishes a link and node configuration, it also places on each link (or node) certain restrictions which define the character of that segment of the system (e.g., travel time, fare, capacity). Also obtained are existing volumes on each network link. The result is a mathematical description of the various components of the transportation system suitable for further analytical examination.

The survey of travel patterns involves considerable effort. Travel is surveyed in three phases, each of which examines only a sample of the universe of trips it represents. The trips made by trucks and taxis during an entire day are surveyed by examining the drivers' delivery records at the places where the vehicles are garaged. Truck surveys may also determine the type of goods carried. Trips into and out of the study area are examined by a "cordon" interview technique. Drivers of vehicles entering or leaving the area are queried as they cross a boundary which circumscribes the study area. Each interview concerns only the immediate trip





of the vehicle. The cordon survey is done in coordination with a volume counting program; expansion of the trip sample to total day travel is based on the volume count at the point of interview. The major phase of the travel pattern survey involves a personal interview at the dwelling unit to examine all trips made by all members of the respective household during an entire day. The home interview survey is probably the most expensive single activity in the entire UTP process. All travel pattern surveys obtain in some form information on the geographic origin and destination of trips and the purposes for which the trips were made.

The information obtained in the home-interview survey, and to a certain extent the other surveys, is organized by analysis zones. These zones are geographic entities developed in a manner to facilitate execution and expansion of the sample surveys. Trips are coded according to the zone numbers at their origins and destinations. Land use is grouped to indicate the activity in each zone; population studies are broken down to the zone level. It is the same zone that is represented by the centroid in the link-node description of the transportation system.

The data obtained from the several surveys are summarized for each of the analysis zones. The networks are processed to obtain the effective separation (time or distance) between all zone pairs. These data are used to calibrate a mathematical representation or model describing propensity to travel between zones for various trip purposes. Such a model



may take any of several forms and relates the reluctance to travel to the separation between the zones. The model is termed a distribution model for it describes the manner in which trips are arrayed over the area according to the attractions observed in various zones. Calibration of a distribution model involves defining the function of certain parameters in the equation for the current pattern of travel. These parameters describe the manner in which zonal separation affects the propensity to travel in the given urban area at the current time. Other parameters may also be evaluated. It is assumed that the observed relation will continue to exist or will change in a predictable manner to the target year. Thus the observed (or modified) parameters are used with predicted attraction values to determine travel patterns in the target year.

The elements affecting travel are then predicted for the target year. Population is projected in the standard manner; the activity of the local economy is projected in a manner which accounts for stimulative or restraining factors which are expected to occur. The population and economic activity increases are then allocated to available land in such a manner as to account for the land development policies in existence or desired. Based on the density and location of the various urban activities, zonal aggregate trip origins and destinations are developed. The origins are distributed among the predicted destinations by use of the previously calibrated travel distribution model. The distributed trips



are then assigned to the respective transportation networks. This process places trips between zones on links of the route connecting the zones, thereby yielding traffic volumes. Where the currently available facilities are inadequate to handle the future volumes, new design must be undertaken to accommodate the target year traffic. A program is then developed to facilitate implementation of necessary improvements according to deficiency, continuity and developmental considerations.



## CHAPTER II. DEVELOPMENT OF THE THESIS

In examining urban travel, it is appropriate to analyze the individual trips which make up the overall travel patterns. Several dimensional parameters of each trip, alone or in combination, describe the overall effect or importance of the trip to the transportation system. Consideration of importance requires definition of those factors which best represent demand on the system. Since the function of the transportation system is to move travelers (and goods), it follows that any trip that is in the system represents a demand. It further follows that the greater demands are due to movements that are in the system longer. The immediate deduction is that those trips which go the farthest distance in the system are the most important. This may seem to contradict notions of the importance of travel time; but importance to the system is the object of the current examination. Since the transportation system is basically a spatial rather than a temporal entity, length is a better demand indicator than time.

Trip length alone may not be a sufficient indication of importance. A few long trips would constitute fewer trip-miles than a large number of shorter trips. Since importance implies utilization, it is necessary to consider the number of trip occurrences as well as trip length. The most important components of travel to the transportation system are





those with the greatest lengths and occurring most often, for they provide the greatest trip-mile utilization.

The third dimension in travel patterns is concerned with time of occurrence. The time when a trip is undertaken, relative to the timing of other demands on the system, is a significant factor in trip importance. Since the system is dynamically loaded, i.e., trips continually move, stress occurs when the arrival rate on a system component exceeds the ability of that segment to adequately process the trips. The time rate of occurrence, or volume, relative to the processing capability, or capacity, indicates the importance that travel of a specific class assumes in patterns of travel on a transportation system. If the occurrence rates vary significantly throughout the day, the system will be less than ideally efficient, unless the distributions are complementary rather than cumulative.

A fourth dimension of travel is utilization of facilities. The importance of a particular trip is a function of which portion of the total system it uses. Trips made on system segments commonly traveled by many other trips contribute to high stress loadings. The same trip, made on less heavily traveled facilities, would contribute less to system stress and to more efficient system use. Whether or not a trip occurs on the major street system contributes to the importance it assumes in regard to the entire transportation system.



The foregoing importance dimensions are descriptive parameters common to every trip. Their conditions determine the level of significance each particular trip assumes in total urban travel. Certain other descriptive factors are merely elements of trip character rather than importance. They are used as a means of classification to facilitate analytical examination. These factors have traditionally been treated as dimensions, despite their true character as descriptors. The principal descriptive factor is trip purpose, the reason travel is undertaken. Each of the many possible reasons for travel can usually be classified in one of five general groups:

1. Work
2. Shopping
3. School
4. Personal Business
5. Social-Recreational

Classification by purpose implies that a difference in the motivation of travel affects the character of trips that result. The importance parameters assume typical conditions for each of these purpose groups. The fact of this effect is apparent from examination of travel survey data in any urban area. For this reason, trip purpose is usually a means of stratifying trip groups in order to better examine, evaluate, and predict their parameters.

Mode or means of travel is also used for analytical classification. The most basic modal breakdown is between



highway and transit; under each of these may be subgroups. Highway travel may be broken into truck, taxi, and automobile trips. The latter may be further split into driver and passenger groups. The breakdown of transit travel depends on the diversity of the transit system. The mode groups define different, and usually exclusive, parts of the entire transportation system. The mode chosen for study reflects the orientation of the particular transportation analysis undertaken.

In examining which components of total urban travel are most important to transportation, it is first necessary to define the system of interest. The present research is concerned with private vehicles and non-transit passengers on the highway system. The next step involves comparing the parameters which measure the effect that trip groups have on the transportation system. It is well known that in most urban areas the single most frequent trip is to the place of employment. The journey to work characteristically exhibits the greatest average trip length (Smith, 1961). Work trips also occur in a much more clustered manner than other travel. It follows that the single most important trip group for the highway-person transportation system is that concerned with the journey to work.

Examination of the total importance of transportation should give proper consideration to effects other than those on the transport system itself. Transportation has extensive ramifications for the larger aspect of community activity.



The community as a social entity is totally dependent on economic activity for its existence. The factors most representative of economic activity are goods movements, communications, and person movements represented by the work trip. Except in a few very extraordinary cases, the number of persons engaged in productive or service activity at a given location presents an excellent demonstration of the level of economic involvement. Work travel then is important to the community as a whole because it represents the lifeblood circulation.

The journey to work is also important to the individual elements of urban existence: the individual persons and their households. It represents the means of livelihood of the household and takes precedence over other travel. The place of residence depends to a large extent on location of the work place. The work trip usually occurs at least twice daily, on weekdays, for each wage earner. At least one person in every household is engaged in some form of income producing activity. Work travel occurs at the same time every day. It usually uses the same routes since the travel orientation in most cases does not vary. Work travel determines the need for purchase of an automobile. Trips other than work are fitted around the availability of the family car and the time of travel to and involvement in work.

The journey to work is then as important to the individual and the community as to the transportation system. It is obvious that this important portion of the total travel





pattern should be pre-eminent in the planning for total transportation. Because of the level of significance, it could even be rationalized that system planning should center on work travel, leaving complementary system usage to the travel which supplements personal and community activity.

The importance of the journey to work had been recognized by many persons at least as early as the beginning of the current century. The concern first occurred in older, more established countries where development had reached such a density that travel problems were occurring. Several European countries and Japan examined work travel patterns, primarily in connection with census studies. Britain also realized the significance of work travel, as evidenced by a 1921 census study. When it came time to plan for rebuilding the destruction effected in World War II, several more British studies were undertaken. Parkes (1941) examined the location of homes and workplaces in relation to the journey to work as a part of postwar planning for Birmingham. Liepmann (1944) considered certain economic aspects of the work trip relative to the mobility of workers and their choice among alternate places of employment. Further work was done by the London Transit System (1949) and by Glass (1956) and Westergaard (1957).

The problems due to work travel in the United States were not severe enough to cause concern until World War II. The allocations implicit in rationing and the traffic volumes to defense plants motivated investigations of war worker



travel. The problems due to prosperity following the war generated more interest in the patterns of work travel, but concern was not yet sufficient to motivate government action. Using information from traffic origin-destination (O-D) studies, several people began to examine the problem. Carroll (1950) suggested that "forces" tending to minimize the length of the journey to work have a concentrative effect on urban residential arrangement. Work by Adams and Mackesey (1955) and by Beyer (1951) considered the commutation to work in small urban and rural areas. The continuing prosperity and concomitant increase in travel motivated many studies of the patterns of all urban travel, each of which placed increasing emphasis on work travel. The obvious significance of work travel in the pattern of all travel was behind inclusion of questions regarding the journey to work in the 1960 census. Further concern is evinced by the consideration of amplifying the previous queries for use in the 1970 census (Bureau of Public Roads, 1966b).

Recent works by Loewenstein (1965) and Lapin (1964) have indicated further recognition of the important role of work in total urban travel. Loewenstein presents an analysis of locational aspects of urban residences and workplaces. His interest in location implies a recognition of the properties of the work trip. He implies that his concept of distribution may present a feasible approach for eliminating conventional travel survey procedures (Loewenstein, 1965). He has retained nearly the same concept of trip distribution accepted by



transportation planners, but his ideas of the requirements and use of travel pattern information for expressway or transit planning appear quite deficient. This is emphasized by his allusion to "trip distribution" procedures when he actually discussed O-D studies. The approach he proposes would estimate the interzonal distribution of work trips as a percent of total trips originating in a zone, based on proportions derived from O-D data of several cities. The procedure would designate as few as five zones (or rings) in even large cities and utilize a single set of distribution factors for all cities. In comparison with patterns derived from an O-D study the approach badly overestimated intrazone trips in four of the five zones, and in only one case approached an acceptable tolerance in estimating total zonal destinations (Loewenstein, 1965). Loewenstein (1965) admits his procedure is crude and merely an attempt to develop a new approach to travel survey. As such, it is consistent with the philosophy of the study reported here.

Lapin's study emphasized the work journey itself, but included analysis of the place of work and residence. He investigated the relations between the several characteristics of work trips and their termini. He also defined the character of several parameters of work travel and related these to changes over time. His objective was apparently to increase the knowledge of this important fraction of total urban travel. Although no direct allusions were made, interpretation of his presentation in the context of the current



research detected inferences that the journey to work might indeed present sufficient basis for total travel representation. Lapin's work had excellent basis and was very thorough. His implications regarding work trip character and prediction could well be the basis for application of the technique proposed in this report. He also suggested that the vast compilation of data on the work trip and all travel could well lead to future synthetic predictions.

The importance of the work component in the total daily pattern of urban travel has been recognized by many others. The Bureau of Public Roads underscored the place that the work trip holds in this respect. "Major emphasis should be placed on that segment of travel which has the most influence on the design of transport systems." The "work trip is the most ritualistic," the "most free from deviations," and "work trips logically end at jobsites" (Bureau of Public Roads, 1966a). Work travel is the most stable component of a community's daily travel (Smith, 1961). The consistency in work travel character and patterns between cities as pointed out by Lapin has also been emphasized by Voorhees (1958). It is this common knowledge which permits omission of countless articles which re-emphasize these facts. Bouchard and Pyers (1965) found less discrepancy in travel patterns for work than for any other purpose.

Lapin (1964) has suggested that the emphasis on travel analysis should be placed more on the destination terminus than has historically been the case. It is at that point





where the most difficult traffic problems occur. Stewart (1948) has suggested the existence of a worker potential field about each workplace. This situation was corroborated by Lapin's destination analysis, and was therein likened to the assumed gravitation field about the residence (Lapin, op. cit.). The residential distribution of central business district (CBD) workers about the CBD approaches the distribution of all residences about the CBD. For non-central areas, however, worker residences are more clustered about the workplace (Carroll, 1952). This situation is attributed primarily to the better established transportation oriented to the CBD (Mitchel & Rapkin, 1954). The newer peripheral centers do not have the historic transportation base, so workers must cluster nearer to them in order to realize the same level of accessibility (Mitchel & Rapkin, ibid.). The distributions of residences about workplaces are similar in most urban areas (Loewenstein, 1965). But account may have to be taken for variations within specific urban areas by stratifying according to work type and social group (Loewenstein, ibid. and Voorhees, 1955). The influence of the social class is seen in ethnic clusters in larger cities. Lapin discusses Osofsky's (1959) approach to a distribution function, and then proposes a similar solution based on a hyperbolic rather than a linear form (Lapin, 1964). This approach is apparently his recommended basis for prediction, although he occasionally alludes to the gravity relationship.



The distributional patterns of work travel are dependent upon the income of the traveler, the mode of travel, the peaking of trips, and the distribution of employment opportunities about the work place (Voorhees, et al., 1966). Lapin (op. cit.) proposed that these characteristics are sufficiently consistent to be amenable to easy prediction. This is one of the most attractive aspects of a work trip oriented approach to travel analysis. Work travel is consistently proportional to total area population. The consistency of this relation between work travel and population is affected little by income or car ownership (Smith, 1961). People must have a livelihood regardless of the rate of earnings or the means of getting there. The number of work trips increases slightly with decrease in occupation class (Shuldiner & Oi, 1962). This is due to "moonlighting" necessary to support a household on a low income skill. Work trips per household increase with household size but at a slower rate than total trips (Shuldiner & Oi, ibid.). The increase in travel potential with family size is realized primarily from the non-work trips.

The labor force constitutes around 40 percent of the population in most cities. In a study of 50 cities, work and business trips accounted for nearly 40 percent of the travel to and from the home (Curran & Stegmaier, 1958). The average family makes seven trips daily, about one-third of which are for the work purpose (Voorhees, 1955). A study of day by day variations indicated that the number of internal person work



trips per day varies least of all purposes, only  $\pm$  4 percent from the mean (Sullivan, 1963). Contributing to the work trip problem is the low vehicle occupancy rate that occurs for work trips. It is about three-fourths of the average for all purposes and less than that for any other single purpose (Lapin, 1964).

The lengths of work trips in an urban area depend on the size and physical structure of the city, the character of the transportation network and the socio-economic situations that prevail (Voorhees, et al., 1966). In Toronto longer trips were made more often for work than for other purposes (Hill & Dodd, 1966). The different distributions of worker residences about workplaces in the CBD and the peripheral areas lead to variations in work trip lengths (Lapin, 1964). Hoover and Vernon (1962), however, claim that family amenities are rated more important than work access when choosing a residence. The variation in work trip length has been shown to be related to the 0.6 power of the distribution of opportunities (Voorhees, et al., 1966). The value of the exponent or friction factor is significantly lower for work trips than for any other trip purpose (Whitmore, 1965). This is a further demonstration of workers' willingness to travel farther in order to obtain the right jobs, and yet maintain a desirable atmosphere for their families.

The importance of work travel is emphasized by its distribution over time. Perhaps distribution in the common sense is somewhat of a misnomer in this instance, for the work



travel in urban areas is characterized by its clustered occurrence. These clusters of trips are commonly termed "rush" hours. In the terms of traffic engineering they are known as "peak" hours, for during these periods the maximum consistent hourly volumes occur on the transportation system. It is peak hour volume or an approximation to it that is used to design transportation facilities. The peak hour on a given transportation segment may not always be due to work travel. But on an extremely large number of transportation segments within most urban areas, the peak hour volume is composed primarily of work trips (Spiegelman & Duke, 1963). The U. S. Bureau of Public Roads (1966a) has stated that "work trips alone constitute the majority of trips" during the peak hours.

The peak demand periods occur generally between 7:00-9:00 in the morning and from 4:00-6:00 in the evening. They are composed principally of work trips, but shopping travel is also present in the afternoon. Auto driver trips are greater in number in the afternoon peak, but trips by all modes are greater in the morning peak (Wynn, 1959). This situation can be attributed to the high volume of school trips by bus included in the morning peak hour person travel. In Baltimore 60-70 percent of the p.m. peak travel was for work, while 20 percent was for shopping (Knox, 1962). During these four hours of heaviest travel, 39 percent of all auto trips and 49 percent of all transit trips occurred (Wynn, 1959). School trips account for 60 percent of the non-auto





driver peak, 8:00-9:00 a.m. About 55 percent of all employed persons travel between 8:00-9:00 a.m., 80 percent travel between 7:00-10:00 a.m. (Williams & Robertson, 1965). Variations in the proportion that peak hour is of total daily travel can be attributed to land use at points of origin and destination (Voorhees, 1958). The morning peak volume is fairly consistent for all week days; the evening peak volume is slightly (10 percent) larger on Friday than during the rest of the week (Nixon, 1961). Variations in the proportion that peak hour is of total daily travel were attributed to the effects of capacity and total day volume (Nixon, *ibid.*). The proportion that the peak is of the total day is affected by city size (Lapin, 1964).

A peaking tendency of the magnitude observed for work trips does not occur for other major purposes. One explanation may be complementary use of the system. Non-work trips (except school trips) have even been observed to be uniformly distributed throughout the day (Smith, 1961). In fact, travel purposes other than work and school only become significant after 9:00 a.m. (Williams & Robertson, 1965). School trips, although significant in person trip considerations in the morning peak, are not really worthy of extensive concern. They were primarily short, local trips on other than major streets and do not contribute to major congestion of the system. The composition of the evening peak period has historically included substantial commercial or shopping travel (Wynn, 1959). This has been primarily due to suburban



area shopping that occurs during the journey from work to home (Voorhees, 1958). Recent trends to evening shopping hours in large suburban centers have led a shift of the evening shopping peak to 7:00-8:00 p.m. rather than 4:00-5:00 p.m. (Wynn, 1959). In Toronto this broadened the effect of the evening peak hour (Hill & Dodd, 1966). The peak of travel to shopping in the CBD occurs at 10:00 a.m. leading to a maximum accumulation of persons in the CBD at between 12:00 noon to 2:00 p.m. (Voorhees, 1958; Lapin, 1964).

The peaking of work trips may require more than the current aggregative analysis. There appears to be sufficient variability in travel character between the several employment groups to warrant examining them separately. Lapin has given considerable time to this aspect of travel character (Lapin, op. cit.). The work travel of top social classes is more concentrated in the peak hour due to similarity in job hour and vehicle availability (Williams & Robertson, 1965).

The characteristics emphasized in the preceding discussion are to be the subject of the research reported henceforth. It should be apparent that the importance, regularity and stability of work and peak hour travel are such as to be amenable to their use as a means of prediction. These factors lend themselves well to forecasting. The importance of these elements (work and peak hour travel) are underscored by the extent to which they have been examined by others. But there is one thread missing. In spite of all these obvious advantages no emphasis has been placed on the singular



use of work as a means of prediction of total urban travel. It is not the purpose of this study to imply that work patterns are identical to the patterns for all travel. It is merely proposed that work travel is so demanding of transportation that its satisfaction will define a system sufficient to serve other purposes or will adequately represent a system that does in fact serve all travel. Similarly, the use of the peak hour as a design standard has been relegated to obscurity for qualitative reasons. It is proposed that the work to follow will examine the feasibility of the approach to transportation planning based only on work and peak hour travel.



## CHAPTER III. PROPOSAL OF THE HYPOTHESES

It is important to discuss the concept of complementarity as applied here to urban area travel. Complementarity is based on the principle of impenetrability, which states that no two material objects can occupy the same place at the same time. It implies that, of two objects competing for positions, that which has the greater utility for the position will take priority in assignment of the location sought. Ullman (1956) originally proposed the concept in connection with activity occurrence. As applied to urban area travel, it implies that purposes which have rigid restrictions of some type (e.g., work) will take precedence over those with less demanding constraints (e.g., shop). Given a fixed transportation system of defined space capacity per unit time, trips with the most inelastic requirements will attain either total satisfaction of their demand or total usurpation of system capacity prior to relinquishing system usage to other trips.

The ramifications of complementarity may be observed in the purpose-time distribution of urban travel. Work trips occur during certain time periods because of the importance of having a job, the punctuality requirements of employers, and the various factors which promote common business hours.





Work trips dominate these periods because of their large volume in relation to system capacity and the resulting reluctance of persons to travel for less necessary purposes during the same hours. Trips of non-work purposes occur during hours when they do not have to compete with work trips for the transportation system, since their timing is less critical.

Based on the complementarity between purposes over time, there is a concomitant relationship between purposes over space or street system capacity. Peak hour traffic, by definition, stresses the highway network more than traffic during any other hour in the day. The travel pattern during the peak hour may thus be assumed to provide the best definition of the highway system, since the maximum stress situation provides the optimal condition for defining any system. The principle of least resistance implies that total travel in other than the peak hour will use the same basic system, to the extent that origin and destination permit. It follows that since the work purpose dominates peak hour travel, it is responsible for defining the basic street system, the same system that is used by other purpose trips in other than the peak hour. This concept of the representative nature of work travel patterns is the basic thesis of the research reported here.

The existence of a single basic system is quite apparent upon examination of travel patterns in urban areas of most any



size. Peak hour traffic jams occur on its constituents. Shopping centers develop along its margins. Industry insists on its close proximity for accessibility and advertising advantages. Hosts of commercial establishments develop along it. Residential areas, although not likely to locate on it, want the accessibility to other land uses that it provides. The fact that all traffic uses the one system is apparently due to the universal appeal of the system to every type of non-residential establishment.

The correspondence between the work trip system and the non-work trip system cannot be assumed perfect. The non-work group contains more purposes and, therefore, has more possible destinations. Non-work trip length is also less, in general, than that for work. This implies relatively more use of peripheral (local or collector) systems by non-work trips than by work trips. Non-work trips, therefore, contribute a greater proportion of the volume on the peripheral system than do work trips. But these systems also contain substantially more miles of street than the major street systems and their design is based on land access rather than traffic service. The resulting number of vehicle-miles of travel is extremely low, implying the relative unimportance of the peripheral systems.

The complementary use of a single basis street system by the several purpose groups implies a highly desirable degree of efficiency. Such efficiency is certainly not complete, nor is it conceivably a conscious objective of urban



travelers. It is more probably correctly described as a "blind" optimization procedure by which trip makers unwittingly achieve a balance between their multiple resources of time, energy, comfort and convenience. The above emphasizes the importance of the major street system in the transportation planning process.

The representivity exhibited by the work trip in regard to urban travel patterns can be expected to increase as city size decreases. Such an effect would be attributable to the lower absolute volumes of non-work travel and to the less highly developed nature of the peripheral streets. The latter situation requires non-work trips to use the work or basic street system for a greater portion of their length, thereby increasing the amount of agreement observed in street importance. The purpose of trips on streets near a zone centroid is significantly influenced by the function of the zone.

Work travel is a very convenient variable for analysis. The work purpose trip is the most stable and ritualistic component of urban travel (Bureau of Public Roads, 1966a). It occurs between the two most readily predictable land uses. It serves only two activities, the residence and the workplace, and is less influenced by separation than most any other purpose (Bouchard and Pyers, 1965). Work trip generation rates are characteristically stable and predictable. Work is the highest density activity in the urban area. In general, no other function concentrates more people per unit



of area than the work process. Because of this property, there is a related concentration of traffic at the workplace. Traffic intensity on facilities serving centralized work places or very large single workplaces can extend for considerable distances.

The important role that work oriented travel assumes in the total picture of urban transportation should be apparent from the previous discussion. Travel in nearly every city is dominated by the journey to work. Only in cities whose function is somehow extraordinary can instances be seen where work travel is of lesser importance. The characteristics of work travel as a sufficient representative of the total urban travel pattern are essential elements of predictability. Based on the attributes enumerated above, it is proposed that work travel would be a valid and sufficient means for prediction of total urban travel patterns. It is hypothesized that, for use in the urban transportation planning process, the pattern of travel developed using work oriented trips alone presents a sufficient representation of the major street system used by all urban travel. It is further proposed that this implication is nearly as valid for home-based work trips as for all work trips. These assumptions are to be tested by the several statistical procedures described hereinafter.

The feasibility of representing the distribution pattern of trips of all purposes by the distribution pattern of work purpose trips alone will be tested. These travel





patterns will be examined over the entire system of major streets and highways. Zone-to-zone travel patterns cannot be used as the basis for testing, however, since they are strictly dominated by the functions of respective zones. Since the desired results of the prediction procedure concern the major street system, the links of the network representing this system will be used as the basis for comparison. Travel of the respective purpose groups will be assigned to the network, and a test of the representivity will be made on a link-by-link basis. In this manner, the zone centroid influence is virtually eliminated in favor of testing the conditions on the major street network.

Throughout the previous discussion it has been implied that the peak hour is an important factor in urban transportation. Similarly, it was argued that work travel is a dominant aspect of the peak hour. It is then apparent that system design based on peak hour volumes may be feasible. The principal advantage of this approach is that the result is a functional basis for design. The methods by which average daily traffic (ADT) volumes are obtained in current planning practice contain considerable inherent error. Further compounding this by introducing a factor to obtain a design hour volume seems unreasonable. By the time factoring has been accomplished, the care of a very expensive survey might well have been wasted.

The peak hour is the one most consistent and significant point of stress on the transportation system. It would



seem only too obvious to deal directly with the maximum loading condition rather than to factor to it. The most significant argument raised against peak hour oriented design is that peaks occur at different times at different locations and for different purposes. Such a situation can only be examined empirically, but it seems that the theory of complementarity would be as applicable in this situation as previously. To follow this argument, assume a system based on a single peak hour, say for work. Beyond this system, heavy non-work volumes, whenever their peak, could be accounted for by specialized surveys or analyses. The residential end is served by the work oriented system. Regarding the time shifts of peak volumes, as long as the maximum volume has been defined relative to the system, the location of its occurrence is immaterial. The trips involved are still full trips, from origin to destination, and will sometime during the peak hour contribute to the volume. This situation, of course, is contingent upon a peaking definition such as used here, i.e., maximum trips on the entire system (see Chapter IV).

The hypothesis proposed for test in this second instance involves the representivity of the ADT loadings by peak hour loadings. Continuing then, the reproducibility of peak hour loadings using a survey of work trips alone might also be feasible.

The hypotheses proposed are directed at elimination of the home-interview survey technique and replacement thereof by a special survey of work purpose trips only. Such a survey



could take any of several forms. One of these, useful principally for an updating function, involves the current proposal to obtain workplace information of employed persons as a portion of the decennial census (Bureau of Public Roads, 1966b). The single question currently proposed would ascertain the address of the location at which the interviewee was most often employed during the week preceding the interview. The possibilities of such an application may be further examined after evaluation of research such as that proposed here. Study of the feasibility of this situation has also been undertaken by the Bureaus of Public Roads and the Census.

One of the main reasons interviewing has traditionally been conducted at the dwelling unit is the requirement to obtain trips of all purposes by all members of the household. Quite naturally if the interest in trip making were confined to a single purpose of travel, the interview place should if possible be oriented to the destination of trips for that purpose. Thus evolves the concept of the destination place interview.

To temporarily diverge somewhat, the concept of a destination place interview can be seen on reflection to be of quite obvious utility. The destination place of any trip purpose group is in every case at least as densely attractive as the residential end of the trip. In most situations the very concept of activity or service provision on a production line basis requires high density trip confluence. The question



immediately arises of why interview at the household? The ramifications are not immediately obvious although certainly valid. They involve such factors as trip generation potential of the household and its excellent predictability as regards future time travel estimation. Also to be considered is the opportunity to obtain information on travel by all persons in the household. The home is the terminus for 70 percent of trips in the urban area. This adds to the body of knowledge of urban area travel, but its true utility may be questioned in light of the theoretical implications of complementarity. Because of the high cost of home-interview surveys, only a small sample is generally taken. As a result the number of reported work trips, the most important purpose group, is small.

On the other hand, the implication of a concentration- or destination-place travel survey is only too apparent. What traveler has not at some time or another been caught in a traffic jam in the central business area or near an industrial plant at shift change or near the site of a major recreation area? At all these locations a service or activity is offered which attracts persons from all residential areas to one relatively small location. Such activity can exist only if major interest can be focused upon it and transportation service provided for it. Very rarely, if ever, do traffic problems occur at the location of residence; probably the only case, concerns high density residential areas, which, of course, fall into a destination place type situation. The





object of transportation planning should be provision of service at locations of maximum stress, i.e., the points of traffic concentration. But for the facets of predictability and multipurpose considerations, the household interview approach is somewhat less attractive than the destination place survey. Destination place surveys could also, depending on the procedure, obtain measures of non-home trips. The problem reverts again to consideration of the theory of complementarity. If the basic system indicated by home-based trips is developed, it will function for non-home-based travel as well, providing the exceptions are taken into account.

The consideration of destination place interviews is not unique or novel. Cherniak (1960) proposed such an approach to travel surveys. He suggested that "for planning future urban expressways, sample trip and correlative data should be assembled, not in the homes but in areas where people are concentrated during the day." "Those are the areas on which traffic converges, where traffic is concentrated...and where...additional...vehicular capacities are...needed (Cherniak, *ibid.*)."

Cherniak further implied that generation studies should be oriented to the concentration points rather than the residential destinations, and that all information from travel surveys should reflect the patterns of peak hour travel. In discussion of the proposals by Cherniak, two points of note were raised. Campbell (1960) suggested that destination point interviews



would yield "no total frame of reference" as a guide or basis for transportation planning. The implication is that total trips or total vehicle miles of travel are not available when surveying only one facet of travel. No demonstration is given, however, of why total travel is so important to system analysis, especially if valid patterns and design hour volumes are available. Lynch (1960) implied that a concentration place interview might involve a less "scientifically selected sample" than the home interview. It is not apparent why "scientific" selection of a sample could not as readily be applied to concentration place interviews as otherwise, as long as the nature of the population is considered. Lynch also decried the lack of a universe for expansion and questioned the ability to evaluate result accuracy. His experience with such work, however, may cause concern in regard to his implication that employer cooperation might be difficult to attain.

The applicability of the destination-place interview concept to work oriented travel points to surveys at the place of employment. Depending on whether or not non-home oriented trips are necessary, such a survey would take one of two forms. A survey of home-based travel would be confined to examination of employee records for coding the address of workers' residences. Such a procedure eliminates all response error due to interviewing. Survey costs are reduced to the cost of coding the information. Should it be desirable to obtain information on non-home trips, an alternate procedure



would be to utilize either a questionnaire or an interview procedure. If vehicle trip information was desired, a means of eliminating non-drivers could easily be determined.

Certain advantages accrue from a survey of this type in comparison to the household interview. The interviewer is dealing with the traveler in an environment which implies good recall of the trip. The trip is very ritualistic and stable; most work travelers could define the exact routes they took to work and why these were chosen. Employer permitting, the interview or form completion should be done during working hours. The psychological implications of the company's interest being sufficient to dedicate "its" time and the undeniably desirable opportunity for the employee to stop work lend an atmosphere very conducive to the ultimate in cooperation.

Needless to say such interview procedures require an excellent public relations program directed to the employers in order to obtain the ultimate in their cooperation. Fulfillment of such ideals may be realized in smaller cities more than in larger cities. The cooperation will probably be better from large than from small employers.

The ritualism of the work trip will provide a reduction in the experimental error of the survey. Contact of a greater proportion of those involved in trips reduces sampling error. A one in twenty sample, such as was used in Indianapolis, yields five percent of the trips in the area. Interviewing at work and obtaining information on say 90 percent of total



employees within an urban area yields data on (90 percent of trips that are 40 percent of the total) over 35 percent of the trips in the area! Reductions of the various error sources offset standard errors of the estimating procedure used. It is even conceivable that the employment place interview could obtain a good proportion of the information obtained in the home interview, particularly if good design of survey procedures was employed. Further advantages in speed of data collection and reduced travel costs for this procedure are apparent.

There will probably occur in any city studied certain specific situations which cannot be handled by the proposed procedures alone. In such cases modifications or augmentation of the basic survey will probably be sufficient to yield valid results. Traffic studies of concentrated movements or travel pattern studies at major generators would probably provide sufficient additional information to yield adequate system definition.





## CHAPTER IV. DATA PREPARATION PROCEDURES

The data used in this study was obtained from the Indianapolis Regional Transportation and Development Study (IRTADS) through one of its sponsors, the Indiana State Highway Commission. The decision to use the IRTADS data was due to its convenience and availability. It was also current, being from surveys conducted in 1964 as part of a planning process approved by the Bureau of Public Roads (BPR). Such approval was important from the aspect that this research was aimed at recommending changes in BPR procedures. The result of the proposed revisions should necessarily reproduce results obtained by the procedures to be changed. Use of data from a study area the size of Indianapolis should imply the generality of any results to any city of similar character. All surveys were complete and the entire data file used by IRTADS to develop transportation recommendations was available for use in this research.

The specific information selected from the IRTADS data file was the travel data from the home interview survey, as coded and punched on "number 2" cards. Among other items, these cards included the information listed in Table 1 which was utilized at least in part in some phase of the present research. No use was made of either the truck-taxi or the



Table 1. Data from Home-Interview Trip Record (No. 2 Card)  
Used in Various Stages of the Analysis.

---

1.	Sample Number
2.	Person Number
3.	Trip Number
4.	Residence Zone
5.	Origin Zone
6.	Destination Zone
7.	From Purpose
8.	To Purpose
9.	Passenger Purpose
10.	Start Time
11.	Arrive Time
12.	Mode

---



external survey data since the principal objective of this work was to attack the home interview survey. The inventory of the 1964 street network as punched in standard (BELMN) format was also obtained. Transit network information was not used because the proposed work was principally highway oriented. Transit trips were included in one phase of the analysis only because no network information was required.

The complete file of home-interview travel data was pre-processed to put it in a suitable form for subsequent manipulation. Dwelling unit (No. 1) cards were not used at all. All trips with an origin or destination outside the study area were eliminated because there was lack of information on the external terminus and the difference in motivation and character between those trips and the wholly internal trips. Without a home-interview survey, such trips could still be tabulated at external cordon interview stations. This deletion eliminated 2416 trips from the basic file. The remaining trip cards were grouped according to home orientation. Home-based trips, having at least one terminus at the residence of the trip maker, were placed in one file and sorted on zone of residence. Non-home based trips, having no terminus in the residence zone, were placed in a second file and sorted on zone of origin. These files were the input for the travel data processing programs for the total day condition.

In order to select a representative peak period the combined home- and non-home-based files with externals deleted



were processed by the program PEAKS (Appendix C). PEAKS scanned the standard trip survey cards for trip purpose, mode, and times of start and arrival. The times were recorded separately according to the mode and purpose of the trip. PEAKS then computed the number of trips entering and leaving the transportation system, by mode and purpose and in tenth of an hour increments throughout the day. PEAKS then aggregated the incremental periods into successive one hour blocks and produced the number of trips in progress, by mode and purpose, for contiguous one hour periods, successively by tenth of an hour increments through the day. The hours during which trips in progress by each mode and purpose reached their maximum were then available. PEAKS also aggregated modes and purposes into total tables. Optionally PEAKS will yield tenth of an hour accumulations only, in order to permit the user to aggregate peak periods other than a single hour.

The output from PEAKS as applied to the IRTADS data is shown in Appendix B. Note that the values shown are card counts, not factored traffic volumes. The peak hour selected for use in the current analysis was that defined for all auto driver trips. This was the condition considered to place the most stress on the highway system. A single hour was selected because the objective in the peak hour phase of this study was to obtain a single hour volume on which to base design recommendations. The peak hour selected for subsequent study was from 16.4 to 17.4 hours (4:24 to 5:24 p.m.).





Processing of the travel and network data involved extensive use and total reliance on the computer program package disseminated by the Bureau of Public Roads for use in operational transportation planning studies. Use of the system was decided upon because of its ready availability and comparatively error free function. It is designed for high speed, high volume processing of the type required by the subject research. The IRTADS data had been coded according to formats required by the system since IRTADS also used these programs. The package is known as BELMN, and is based on the Bell Telephone Laboratory monitor system for the IBM 7090 computer. BELMN consists of a set of programs that feed between one another in a sequential processing setup under user control with a minimum of external supervision (Bureau of Public Roads, 1964 & 1965). The system worked quite satisfactorily in most instances with the principal problems being due to inadequate documentation.

Several decisions regarding format of the final data to be analyzed had to be made prior to the initiation of bulk processing with the BELMN system. It was decided that trips of three specific purpose groups would be obtained in addition to the all-purpose group. The selected purposes were home-based work, home-based shop, and non-home-based work. The differentiation between home and non-home-based trips has previously been made. A home-based work or shop trip is one that has a purpose on the non-home end of work or shop respectively. Home-based trips must be either to or from the



zone of residence; the home orientation at either end determines the classification. Non-home-based trips, however, could reasonably be classified by either the to or from purpose since neither is at the place of residence. For the current study a non-home-based work trip is one having a work purpose at either end of the trip.

The three specific purpose categories also included small groups of trips which were of similar respective character. These were serve-passenger trips with passenger purpose the same as the specific group in which it was included. This addition was due to the action by IRTADS interviewers of "linking" trips at the time of interview. Thus the normally defined serve passenger trips had been linked out of the IRTADS survey data (Bureau of Public Roads, 1964, pp. IV-4). The nominal serve-passenger trips were "busing" trips and should be included in the respective categories. Serve-passenger trips that were not of a busing nature retained sufficient influence from the passenger's purpose to permit assumption of the passenger's purpose at the serve-passenger end. (Linking is the term used to describe the process of removing from consideration an intermediate trip terminus, the purpose of which is subordinate to the final destination purpose.)

The modes selected for analysis were auto driver and highway person, reflecting the decision to maintain a highway orientation. The former represented vehicle trips and could be indicative of traffic volume. Highway person trips



included auto driver trips as well as passengers in automobiles, trucks, and taxis. Use of a person trip orientation in revised survey procedures would, of course, permit development of modal split relations. No transit or school bus trips were included because of the lack of knowledge of a network for either group. Two periods, total day and the single afternoon peak hour, defined the time conditions to be considered.

Further processing of the basic data in preparation for the analysis used the BELMN program package. Program numbers are those of the standard writeups. The shorter of two phases using BELMN involved processing of the street network. The 1964 street inventory had been coded and punched on cards by IRTADS. These cards were then processed according to the diagram in Figure 2. Program PR-6 processed the cards containing among other information the length of, speed on, and node number at the terminals of every link in the street system. The description of the network prepared was stored in binary format preparatory to further processing. Program PR-1 scanned the network description for link direction and travel time and the terminal node numbers. It then proceeded to build "trees" from each zone to all other zones in the study area. These trees are the link-by-link description of the path taken in moving from one zone to another. Since there could be a very large number of such paths if there were no restrictions on their selection, the path which exhibits a selected type of optimality is defined. For the



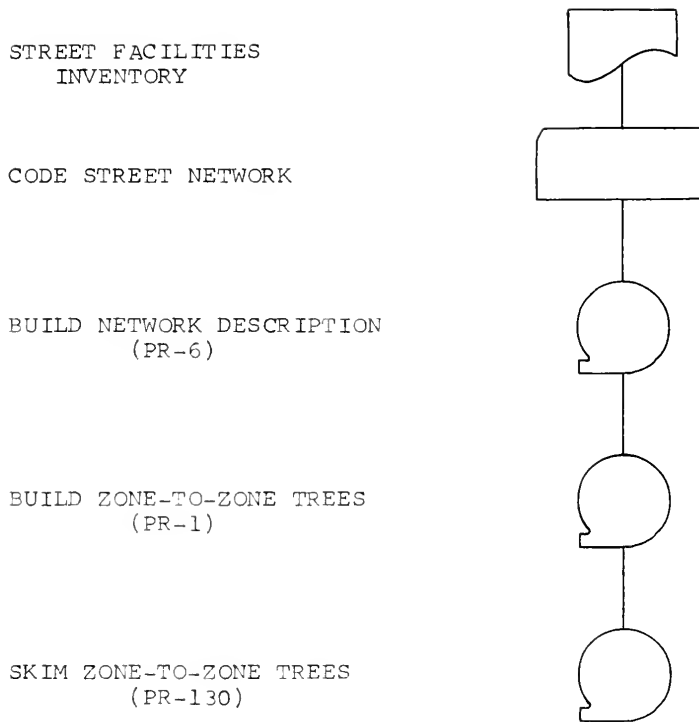


Figure 2. Developing the Street Network Data.





current study, the minimum travel-time path was chosen. Travel-time includes terminal time at both ends of the trip. The procedure for selection of this optimum path is based on an algorithm developed by Moore (1957). PR-1 prepared a binary tape describing the minimum time path trees, link-by-link, for all zones in the study area. Program PR-120 further processed the binary tree information by summing the time to traverse the links in each tree, producing the accumulated time to move between each zone pair on the minimum time path. This zone-to-zone cumulative time is known as a "skimmed tree." The skimmed tree data were used as described in Chapter V. The network description and zone-to-zone tree data were used as described below.

The major utilization of the BELMN programs was concerned with processing the travel data. Figure 3 shows the procedure employed and described below. The necessary pre-processing of the trip cards was described previously. Input to program PR-133 was in two phases, home-based and non-home-based trip cards. This separation was necessary because of the requirements of PR-123. The procedures were, however, essentially identical, and the results were combined at a later stage. PR-133 accumulated the trips from each origin to each destination zone according to groups based on the trip purpose and travel mode specified previously. Output from PR-133 were "trip tables," cumulative zone-to-zone movements by purpose and mode. The normal PR-133 expansion of the trip data was not used in order to retain exactly the



TRAVEL SURVEY

CODE, EDIT AND SORT  
TRAVEL DATA

BUILD

TRIP

TABLES

(PR-133)

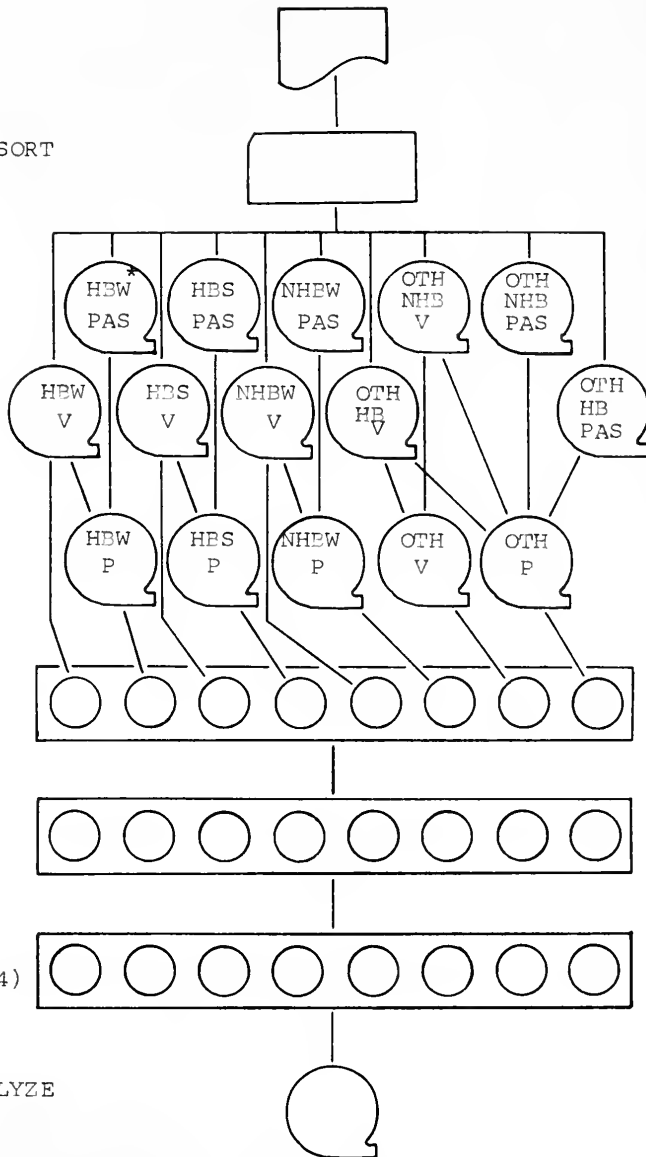
COMBINE TRIP  
TABLES (PR-152)

FACTOR TRIP  
TABLES (PR-151)

ASSIGN TRIPS TO  
NETWORK (PR-2)

FORMAT LOADED  
NETWORKS (PR-124)

COMPARE AND ANALYZE  
LOADED LINKS  
(BMD 2V, 2R)



\* See page 105 for abbreviation key.

Figure 3. Developing Travel Data.



character of the sample. The blanket expansion used is explained subsequently. Because of the nature of PR-133, all final trips tables are complementary; i.e., they do not overlap. Program PR-152 was used to merge certain tables in an additive manner in order to obtain the purpose combinations specified for analysis.

Since trips on links of the network had been selected as the decision variable, the trip tables had to be assigned to the street system. The traffic assignment program, PR-2, uses a factoring procedure to conserve space in core storage and on tape. It divides the actual trip volume by four in order to store the number in a field width of two less positions (binary digits). Such a procedure is not critical for high volumes, but proves extremely damaging in cases where there are many low volumes. Since the trip data had not been expanded as would normally have been the case, the discrepancies here were quite serious. As a means of overcoming the problem, it was proposed to multiply the volumes by twenty prior to assignment. This would permit retention of the exact character of the sample and would eliminate the loss of critical volumes. It would also yield figures of a magnitude similar to observed traffic volumes. Program PR-151 was used to expand the recombined results from PR-152 by a factor of twenty. The entire trip processing and assignment procedure was executed for both the total day and the peak hour situations.



The traffic assignment process, utilizing program PR-2, assigned to each link of the minimum time path tree the zone-to-zone movements given in the trip table. This process, known as "loading the network," accumulated the trip volumes on each link for all zone-to-zone movements. No attempt was made to apply capacity restraint (iterative assignments to account for the change in travel speed with volume) to the loaded networks, since the differences in absolute volumes would have yielded inconsistent results from such a procedure. The objective of the research was to match the control loading condition; that having been accomplished, restraint procedures would be applied to the synthesized loadings. There were sixteen separate network loadings, made up by the twelve specified purpose situations and four totals. The loaded networks were summarized by program PR-124 to obtain a more readily processable output format and a listing of the loading on each link. The output from PR-124 was processed by a data reduction program which summarized for each link the loading under each of the sixteen specified conditions.

Since the principal influence of the hypothesis was intended to be over the major street system, it was necessary to select the links in this group. In order to provide an objective basis for the selection, the functional street classifications developed by IRTADS were used to group the links. The IRTADS system was composed of five groups: local, collector, arterial, expressway, and freeway. Because of the small number in their groups, expressway and freeway links





were combined under the latter title. The resulting arterial and freeway groups were considered the major street system. Because of an interest in examining results beyond those on the major street system, the collector group was retained for compatible analysis. All local links, centroid and external node connectors, were removed because of domination of travel on them by the zone represented by the centroid. Links connecting between different groups were considered collectors. The groups at this point represented a modification of the IRTADS system and were referred to as Mod-1 system:

Freeway	231 links,
Arterials	307 links,
Collectors	2123 links.

Examination of the volume distributions in the respective groups indicated certain conditions for which modifications were appropriate. The link volumes for the auto driver, total day, all purpose condition were chosen as the criterion since they were the best available representation of actual traffic volumes. Based on the estimated standard error of the group, all links with volumes less than 140 were deleted. This was because the true volumes on these links in the average situation might be reasonably considered not different from zero. Links that were the only connection between the system and local links were deleted for the same reason as the local links. Links previously classified arterial or freeway, but having volumes less than 1000, were merged with collectors. Collectors with volumes greater than 5000 but



less than 12,000 were merged with arterials; those with volumes over 12,000 were merged with freeways.

The rationale for these modifications was based on the fact that no capacity restraint was used in the assignment process. As a result, trips were assigned to the absolute minimum time path without consideration for the capacity of the links used. Such a situation would explain the failure of links to carry volumes commensurate with their functional classification. In order to correct for the situation, links having arterial level volumes were defined as arterials, etc. This was the reasoning behind volume considerations when reorganizing the groups. The volume criteria for each group were established by a generalized capacity analysis of the respective street classes.

The Mod-2 system, used in the final analyses, was composed of the following:

Freeways	218 links,
Arterials	529 links,
Collectors	1793 links.



## CHAPTER V. ANALYTICAL PROCEDURES

The analytical procedures employed to test the proposed hypotheses fell into two distinct phases. The first was directed toward establishing a basis for consideration of the second. The second phase was directly concerned with testing the principal hypotheses regarding work and peak hour travel.

Phase one undertook examination of the hypothesis that the several factors of trip purpose, mode of travel, and time of trip do significantly influence the character of person movement in an urban area. The objective was to obtain a quantitative definition, in probabilistic terms, of that interrelationship which most practitioners have come to accept in a qualitative sense. The variables chosen for examination were travel volume and length of trip. These were considered sufficiently representative of the distributional characteristics of urban travel to permit valid generalization and extension of the effects observed.

Travel volume was defined as the number of trips made, where each survey card represents a trip. Trip length was the time required to complete a given trip on the minimum time path from the zone of origin to the destination zone. The purpose of a trip was that indicated on the survey card at the point of destination. Purpose was considered in six groups:



1. Work
2. Shopping
3. Social-Recreational/Eat Meal
4. Personal Business/Medical-Dental
5. School
6. Other

Groups three and four are combinations of purposes originally tabulated separately. The merger was due to assumed similarities in the character of travel for these purposes. Mode of travel was defined in three groups:

1. Auto Driver
2. Non-transit passenger
3. Transit passenger

The definition of transit includes school buses as well as other bus vehicles; there is no other form of transit in Indianapolis. The non-transit passenger group includes passengers in private automobiles, taxis, and trucks. Time was defined in 24 one hour groups. The mean of the start and arrive times reported for the trip maker was used to place the trip in its time group.

The basic data source was the IRTADS home interview survey file (No. 2 cards) consisting of 76,396 records, each describing one trip, wholly within the area, made by a resident of a household selected for interview. The sampling unit for the survey was the household. The households had been selected in a systematic manner from public utility records and represented approximately five percent of the dwelling units in the study area.

The trip records were sorted by zone of trip origin and then by zone of trip destination using the IBM 7094 IBSYS





Generalized Sorting System. The length (in time) of travel from each zone to every other zone was computed from the minimum time path tree by a tree skimming program (PR-130) that is part of the BELMN package. The skimmed tree provides the overall time by summing the times to traverse each link in the minimum time path over all links in the path. It is, therefore, the minimum possible zone-to-zone travel time. The appropriate skimmed tree time was then appended to the individual record of each trip by the program LENGTH (Appendix C), being made an additional permanent part of each trip record.

The nature of the hypothesis to be tested was appropriate for investigation by the analysis of variance technique (ANOVA). This statistical procedure involves classification of the observed variable according to several factors, the object of the investigation being to determine the extent to which the factors affect the observed variable. Thus an observation occurring under a particular set of conditions would be grouped only with observations which occurred under similar circumstances. In the type of study undertaken here, termed a complete factorial, there are the same number of such groups, or cells, as there are combinations of possible conditions (levels) of the factors considered. This procedure isolates the quantitative effect that each factor has on the variable analyzed, but also permits evaluation of effects occurring due to factors acting in combination (interaction).



In order to test the significance of the effects due to factors and interactions, the ANOVA uses an estimate of experimental error, i.e., natural variability, not due to the factors analyzed, to be expected in the occurrence of the variable. One means of obtaining such an estimate in experimentation is to replicate or repeat at least a portion of the experiment, since variability in observations made under identical conditions can be attributed to experimental error. For the present investigation it was decided to select four random subsamples from the basic trip file. These four complete subsamples provided the necessary estimate of experimental error. In order to simplify the sample selection procedure, the observation selected for testing was the mean trip length value over all trips in each cell.

The equations representing the analyses, commonly called analysis of variance models were:

$$X_{ijkl} = \mu + P_i + M_j + T_k + PM_{ij} + PT_{ik} + MT_{jk} + PMT_{ijk} + \epsilon_{(ijk)l}$$

where:

$X_{ijkl}$  represents trip volume or trip length, depending on the analysis, for the  $i$ -th purpose, by the  $j$ -th mode, in time period  $k$ , for the  $l$ -th subsample;

$\mu$  is the respective overall mean;

$P_i$  is the effect of the  $i$ -th purpose,  $i=1, \dots, 6$ ;



- $M_j$  is the effect of the  $j$ -th mode,  $j=1, \dots, 3$ ;  
 $T_k$  is the effect of the  $k$ -th time period (hour),  
 $k=1, \dots, 24$ ;  
 $PM_{ij}$  is the effect of the purpose-mode interaction;  
 $MT_{jk}$  is the effect of the mode-time interaction;  
 $PT_{ik}$  is the effect of the purpose-time interaction;  
 $PMT_{ijk}$  is the effect of the purpose-mode-time inter-  
action;  
 $\epsilon_{(ijk)l}$  is the experimental error;  
 $l$  is the number of the subsample,  $l=1, \dots, 4$ .

It will be noted that all effects are fixed, i.e., they are not random samples from an infinite population of such values. The inference permitted can, therefore, only be considered applicable for those levels of the respective factors included in this analysis. The analysis described is known as a complete three-factor factorial analysis with four observations per factor level combination. The assumptions required for use of the ANOVA were considered sufficiently satisfied. The effects were additive because of the simplicity of the counting process. The experimental errors were considered normally and independently distributed due to the averaging of the trip length variable.

A theoretical consideration at this point involved the inference space of the results. The objective was to imply validity not only for the city of Indianapolis, but for the nation as a whole. Such an implication is valid if the trip data used is considered a randomly selected single cluster sample from a nationwide population of trips.



The random subsamples of the basic systematic sample may be considered random samples of trips in Indianapolis. When four subsamples of 10,000 each were drawn from the original 76,396 trips that represented a five percent sample, each subsample was effectively a sample of less than one in one hundred and fifty and was considered drawn from an infinite population. Under these circumstances infinite theory was closely approximated, and finite population correction was not necessary.

Selection and processing of the four samples was accomplished by the program SAMPLR (Appendix C). Input to SAMPLR was four sets of unique, sorted random numbers developed by the program RANDOM (Appendix C), and the sorted trip card file, augmented with trip lengths. The four files of random numbers were stacked on magnetic tape for use by SAMPLR.

SAMPLR read the random numbers and, based on each, selected the data occurring in the designated location of the trip card file. The records selected were tabulated by purpose, mode, and time of trip. Each record used was deleted from the input trip file, and those remaining were written out to await selection of the next sample by the subsequent pass of SAMPLR. The sample selection process was repeated four times. The results of one sample are shown in Appendix B. These data were punched on cards in preparation for their analysis.

The complete factorial analysis of variance computations were executed by program BMD-2V (UCLA, 1966a). The output





from the computation is presented in Tables A1 and A2 of Appendix A. The results of the tests for significance are presented and discussed in Chapter VI.

Phase two of the analysis involved testing the principal hypotheses, concerned with the use of work and peak hour trips to represent total daily travel. The objective of the analysis was to determine the degree to which trips of a single purpose or a particular time period could be expected to reproduce the pattern of all travel in an urban area and define the transportation system used thereby. Travel volume on individual links of the highway network was the decision variable selected; the form that the variable took depended on the analysis performed. Reflection on the objective of the research pointed up the necessity of retaining the all-purpose loading as the control condition, against which the hypothesized revisions would be tested. The nature of the situation, with the variable to be predicted containing the variable used to predict, indicated that a regression approach would be most appropriate.

The extent of the regression analysis required was investigated by a modification and extension of the analysis of variance performed in phase one. The objectives of this second ANOVA were to determine which factors should be included in the regression models and what different models were necessary. This analysis was designed to test the effect on individual link volumes of change in the factors purpose, mode, and time.



Definitions of the factors and variable for this analysis were modified from those applied in the first investigation.

In this analysis purpose was considered at three levels: home-based work, non-home-based work, and non-work. This reflected a split of the previous P<sub>1</sub> (work) and combination of P<sub>2</sub> to P<sub>5</sub>. Mode was included at only two levels, transit trips having been deleted. The time levels were redefined as peak hour, one particular hour, against non-peak hour, the remaining 23 hours combined. The observed variable was relative assigned traffic volume. This variable was obtained by assigning trips (variable in the first analysis) to the links of the highway network and dividing each resulting link volume by the link-trip total over all links for its particular factor level combination. This manipulation eliminated between cell differences attributable only to differences in absolute total volumes of trips observed for respective purposes. The effect of the absolute totals had been examined in the first analysis; the second analysis was to examine the degree to which selected observed effects extended to the highway system. The resulting variable, termed link-relative-importance (LRI), was indicative of the status the particular link assumed regarding movement of traffic in the area.

If there was no significant difference found due to purpose, it could be reasoned that each link was as important for moving work trips as for moving other trips. Lack of significance due to mode would imply that passenger travel is distributed on the system in the same manner as vehicle travel.



And no significance attributed to time would infer that peak hour traffic uses the same links as non-peak movement. Should any main effects not be considered significant, regression analysis of that situation would not be necessary. If the main effects were found significant it could be reasoned that sufficient difference occurred between purposes, modes, or time periods for these factors to be considered in the regression analysis.

Of particular interest in this ANOVA was whether the significance of interactions carried through from the first analysis. An interaction implies that the results of varying one factor under the constant level of another factor might not match the results of identical variations of the first factor under different conditions of the second factor. Thus, a significantly different relationship might be found between volume and purpose for auto driver trips than for passenger trips. Interaction significance would imply a need for different regression models at each level combination of the interacting factors. This analysis would yield a rational basis for the form of the regression equations and contribute to the understanding of underlying relationships.

Consideration of two requirements of the analysis of variance was necessary.

The ANOVA procedure bases its tests of significance on properties of the normal distribution and requires that the experimental error within the classification groups or cells be normally and independently distributed. Tests of this



condition utilizing the Komolgorov-Smirnov (K-S) test for goodness of fit (Ostle, 1963), indicated that the raw LRI values were not normally distributed. It was found, however, that after a square root transformation of the raw data was carried out, the K-S test showed significant (5 percent level) departures from normality in only a very few cases for the arterial and freeway classes of the MOD-2 highway system. The collector class was discarded from further consideration in the ANOVA examination because the observed departures from normality could not be considered insignificant. Results of the normality test are given in Table A3 of Appendix A. The use of the square root transformation has a basis in theory; the data were merely a traffic occurrence or frequency distribution on the highway system, known to be distributed in a Poisson manner (Gerlough, 1955). The square root is the characteristic transformation to a normal distribution for a Poisson distributed variable.

The other ANOVA assumption tested concerned homogeneity of variance between cells. The common test for this condition is that attributed to Bartlett (1937). The square root transformed data were processed by two computer routines which yielded the chi-square values to be tested. These are given in Table A4 of Appendix A. It was apparent that cell variances of the design were quite non-homogeneous. Box (1954) has considered the variance problem also and indicates that the robust nature of the ANOVA is capable of withstanding quite a degree of heteroscedasticity.





In spite of the lack of variance homogeneity and the minor variations from normality, it was decided to continue with the ANOVA as proposed. The analysis was run separately for the two street classes with no attempt being made to examine between class effects. This decision was based principally on the variation in the number of observations between the classes. The ANOVA models took the form:

$$L_{ijk1} = \mu + P_i + M_j + T_k + PM_{ij} + PT_{jk} + MT_{jk} + PMT_{ijk} + \epsilon_{(ijk)1}$$

where

$L_{ijk1}$  is the  $\sqrt{\text{link-relative-importance}}$  for the  $i$ -th purpose, by the  $j$ -th mode, in time period  $k$ , for the  $l$ -th observation.

$P_i$  is the effect of the  $i$ -th purpose,  $i=1, \dots, 3$ ;

$M_j$  is the effect of the  $j$ -th mode,  $j=1, \dots, 2$ ;

$T_k$  is the effect of the  $k$ -th time period,  $k=1, \dots, 2$ ;

$\epsilon_{(ijk)1}$  is the experimental error:

$l$  represents the link considered,  $l=1, \dots, 218$ ,  
for freeways,  
 $l=1, \dots, 529$ ,  
for arterials.

The interactions are similar to those defined for the first ANOVA. Computations for this analysis were performed by program BMD-2V; the results are presented and discussed in Chapter VI.

The models for the regression analysis were developed in accordance with the results of the variance analyses, and



included factors representing purpose, mode, and time. The definitions of the variables and factors for regression were further modified from those used previously. The dependent regression variable (Y), in accordance with the control condition defined, was the number of trips for all purposes that were assigned to the individual links of the highway network. This represented a combination of the three purpose levels tested in the second ANOVA. The independent regression variables (X's) were similarly assigned volumes, but represented trips for a specific purpose: home-based work, non-home-based work, and home-based shop. The first two were identical to classifications in the second ANOVA; the third was an additional factor included because of the general interest and availability of the data. The shop level was not included separately in the purpose factor of the second ANOVA because the objective at that point was to define the effect of work relative to all other purposes combined. Levels of the mode factor were auto driver, identical to  $M_1$  in both previous analyses, and highway person, a combination of the  $M_1$  and  $M_2$  levels of the second ANOVA. Time was treated in a similar manner: peak hour corresponded to  $P_1$  and total day was the combined  $P_1$  and  $P_2$  levels. The definition of the regression factors closely approached the definitions of the original principal hypotheses. The only variation occurred in the second level of purpose;  $P_2$  was defined as non-home-based rather than all work because of the build-up approach. Adding non-home-based work to an equation including home-based work



implied the desired effect of total work. The factor definitions for the second ANOVA and the regression analysis are listed below together with the nomenclature for the principal hypotheses.

	<u>HYPOTHESES</u>	<u>ANOVA</u>	<u>REGRESSION</u>
Purpose:	HBW ALL WORK ALL PURPOSES	HBW NHBW NW	HBW NHBW ALL PURPOSES
Mode:	DRIVER PERSON	DRIVER PASSENGER	DRIVER PERSON
Time:	PEAK HOUR TOTAL DAY	PEAK HOUR NON-PEAK HOUR	PEAK HOUR TOTAL DAY

(H:HOME, B:BASED, W:WORK, N:NON)

The factor level combinations as combined for the regression variables are listed below.

#### Independent Variables

1. Home-based work, Auto driver, Total day
2. Non-home-based work, Auto driver, Total day
3. Home-based work, Highway person, Total day
4. Non-home-based work, Highway person, Total day
5. Home-based work, Auto driver, Peak hour
6. Non-home-based work, Auto driver, Peak hour
7. Home-based work, Highway person, Peak hour
8. Non-home-based work, Highway person, Peak hour
9. Home-based shop, Auto driver, Total day
10. Home-based shop, Highway person, Total day
11. Home-based shop, Auto driver, Peak hour
12. Home-based shop, Highway person, Peak hour

#### Dependent Variables

1. All purpose trips, Auto driver, Total day
2. All purpose trips, Highway person, Total day
3. All purpose trips, Auto driver, Peak hour
4. All purpose trips, Highway person, Peak hour

The requirements for regression analysis are that each value of X be measured without error and the experimental



errors of the Y values for each value of X be normally and independently distributed with mean zero and homogeneous variance. It is not too difficult to tacitly assume that these restrictions are satisfied by the data in this analysis, particularly since there are so many possible values of X and thereby few possible values of Y for each X. The basic relationship was assumed to be linear and additive because of the nature of the urban travel situation.

The technique used was to build up a multiple linear regression equation in steps, adding one independent variable at each step. This technique follows the logic of the proposals set down for modifications in survey procedures, i.e., one variable represents one type of survey, an additional one represents a more extensive survey, etc. Thus it is shown just how much precision (increase in determination) is gained by augmenting basic survey data. The computations for the analysis were performed by computer program BMD-2R (UCLA, 1966b).

The initial run of the program permitted free selection of that variable which most significantly reduced the error sum of squares of the analysis. The respective variables added were those which caused the greatest increase in the total variation explained by their inclusion. This run eventually included all independent variables. Subsequently, a program option was exercised which selected entrance of independent variables into the equation in the logical order





of the proposed build-up survey procedure.

Nine sets of equations were developed. Four of these each had dependent and independent variables of the same mode-time combination. The mode-time combination varied between sets. The remaining five sets were developed with dependent variables common for planning and design purposes, but with independent variables of a type more easily surveyed. The latter five sets did not have similar mode-time combinations for dependent and independent variables. Within each set the dependent variable did not change. The nine equations in each set represented different combinations of the basic street classes. The first three of these treated freeways, arterials and collectors, respectively. Two more were developed by combining freeways and arterials for one (FA) and freeways, arterials and collectors for the other (FAC). The remainder included all freeway and arterial links as well as subsets of the collector group based on volume: collectors with day vehicular volume not less than 4000, 3000, 2000, and 1000. The results of the regression analyses are presented in Chapter VI and Appendix A.



## CHAPTER VI. ANALYTICAL RESULTS

The analyses described in Chapter IV were designed to test the following hypotheses:

1. There are no significant effects on trip volume and trip length due to the purpose, mode, and time factors and their interactions, which define trip conditions.
2. The pattern of travel for the work purpose adequately describes a street system sufficient to serve trips for all purposes, thereby implying feasible reorientations in travel pattern surveys.
3. The pattern of travel in the peak hour adequately describes a street system sufficient to serve trips made during the entire day; thereby implying a feasible reorientation in the procedure for obtaining a design hour volume.

The degree to which these hypotheses were acceptable and the ramifications of the results of the tests employed are discussed below.

The first hypothesis is concerned with a situation recognized by most practitioners. The quantitative nature of the proposed effects have been known for some time, but tests of significance have not been run. Tables A1 and A2 in Appendix A are the analyses of variance for trip volume and trip



length respectively.

All main effects and interactions were significant ( $\alpha = 0.01$ ), implying rejection of the first hypothesis stated. The high significance of the main effects had been expected. It implied that the volume and length of trips observed in Indianapolis differed significantly with variation in the purpose of trip, the mode of travel, and the time of observation. The high significance of the interactions was not anticipated. It implied, for example, that the relationships between volume or trip length and the single factors (e.g., purpose) were inconsistent if any other factor was not held constant. The results of this analysis emphasized the fact that the factors being examined in regard to travel pattern development were very worthy of further consideration. They also indicated that further analyses would have to account for the interactions.

The second and third hypotheses were investigated simultaneously due to use of the same decision variable and identical statistical procedures. The second stage of the investigation involved defining the factors and models for the regression analysis. The variable was LRI and the factors examined in the ANOVA were, generally, purpose, mode and time. The LRI values were observed on the MOD-2 freeway and arterial classes only, due to the normality of their distributions. The significance level chosen for testing the F ratios was 0.25. This choice was based on the fact that probability of "type II" or " $\beta$ " error (accepting a false



hypothesis) was of importance. Increasing the " $\alpha$ ," or probability of type I error (rejecting a true hypothesis), to the level of 0.25 reduces the probability of  $\beta$  error. The low  $\beta$  error was considered necessary because the objective of the test was to determine which effects were not significant and could thereby be eliminated from consideration in model development. The hypothesis proposed for this test was: the purpose, mode, and time factors described here have no significant effect on relative link volume. The ANOVA for these tests are shown in Tables 2 and 3. All significance tests were made using an F ratio with only the error mean square, since the model was composed completely of fixed effects.

The tests on the freeway links indicated significant results due to the main effects of time, purpose and mode. No effect on LRI was noted due to interaction. It can be concluded that LRI does vary between the peak and non-peak periods, due to change in consideration of the work or the non-work purpose, and due to travel mode. The implications are that, for freeways, separate models describing peak and non-peak traffic would yield better results than a single model. Further, there is sufficient effect due to the work purpose and mode that models describing travel must include recognition of the work purpose and means of travel. The extension of these results is valid and consistent only over the factors and levels considered here.





Table 2. Analysis of Variance for Freeway L.R.I.

Factor	Degrees of Freedom	Sum of Squares	Mean Square	F Ratio
T**	1	28.37	28.37	3.31*
M	1	17.67	17.67	2.06*
P	2	511.07	225.54	26.7*
TM	1	2.31	2.31	0.27
TP	2	3.23	1.61	0.19
MP	2	0.41	0.20	0.23
TMP	2	15.90	7.95	0.93
Error	<u>2604</u>	<u>22,318.74</u>	8.57	----
Total	2615	22,897.68		

\* Significant at  $\alpha = 0.25$

\*\* See page 105 for abbreviation key.



Table 3. Analysis of Variance for Arterial L.R.I.

Factor	Degrees of Freedom	Sum of Squares	Mean Square	F Ratio
T**	1	39.28	39.28	4.95*
M	1	253.22	253.22	31.9*
P	2	1,783.42	891.71	112.2*
TM	1	3.84	3.84	0.48
TP	2	8.01	4.00	0.50
MP	2	67.98	33.99	4.38*
TMP	2	18.23	9.11	1.15
Error	<u>6,336</u>	<u>50,380.69</u>	7.95	----
Total	6,347	52,554.69		

\* Significant at  $\alpha = 0.25$

\*\* See page 105 for abbreviation key.



The tests in the ANOVA for arterials indicated the same effects observed for freeways as well as a significant mode-purpose interaction. This additional effect may reflect the change in orientation of traffic from movement to land service as street class decreases. The variability in the influence on volume exerted by work purposes cannot be considered the same for all modes, and conversely, as was the case for freeways. This implies a need for more models to account for interaction.

The hypothesis for the ANOVA of relative volumes was rejected for the purpose, mode, and time main effects on freeway links and for these as well as the mode-purpose interaction on arterial links. The remaining effects could not be rejected at  $\alpha = 0.25$ . The meaning of these results must be tempered by the failure of the data to satisfy the criterion of homoscedasticity. Reflection on the trends observed gives cause for contemplation on the results which might have occurred had the collector class exhibited normality.

The equation forms used in the regression analysis reflected the results of the variance analyses. The models developed predicted trip volumes for all purposes on links of the highway network. The means of prediction were trip volumes observed on the same links for specific purposes, i.e., work. Separate models were developed for each combination of the levels of the mode and time factors. The ANOVA results indicated that the use of each additional level of



the purpose factor would increase the variation explained. Further, each mode-time combination would yield different levels of predictability, each of which was consistent within time, but not necessarily within mode. The regression equations represent the relations within the condition groups or cells of the ANOVA. The feasibility of the development approach employed was checked by permitting variables to enter the equations in a stepwise manner, according to the significance of their contribution. The final relationships were then selected, on an intuitive basis, and the respective results were compared. It should be emphasized that the following analysis was not oriented to developing predictive relationships, but rather to determining the degree to which variation in the all-purpose group was explained by variations in specific purpose groups. It is not inferred that the equations shown are applicable elsewhere, but rather that variation explained ( $R^2$ ) may be universal and that the respective expansion ratios (slopes) are typical.

The first regression analysis developed simple, linear relationships between peak hour and total day volumes. The equations shown in Table 4 predict total day volume based on peak hour volume. Only the all-purpose condition is presented because the objective was to demonstrate the representivity of all traffic in the peak hour. Results are shown for both modes and for three separate street classes: freeways, arterials and collectors. The variation explained ( $R^2$ ) varies between modes by a maximum of 0.018; the difference in  $R^2$  between modes increases from freeways to collectors. The prediction





Table 4. Simple Regression Analysis.

---

	<u>Auto Driver</u>	
(F) *	$Y = 824 + 5.446X$	$R^2 = 0.969$
(A)	$Y = 899 + 5.150X$	$R^2 = 0.905$
(C)	$Y = 314 + 5.307X$	$R^2 = 0.875$

	<u>Highway Person</u>	
(F)	$Y = 1549 + 5.304X$	$R^2 = 0.961$
(A)	$Y = 1410 + 5.090X$	$R^2 = 0.895$
(C)	$Y = 493 + 5.383X$	$R^2 = 0.857$

X: Total Peak Hour Trips      Y: Total Day Trips

---

\* See page 105 for abbreviation key.



of total traffic based on peak hour traffic is quite reliable for all street classes. The prediction is better on higher type facilities because they are the ones most utilized in the peak hour. These positive results give credence to a basic hypothesis of this research and form a basis for further study of peak hour travel by purpose.

The multiple linear regression analyses examined the three separate street classes and several combinations of these. The examination of several street groups was undertaken in order to determine the changes in predictivity for various single classes and combinations within the total street system. Within each street group several mode-time combinations for the variables were used. In four of these cases, the mode-time condition was the same for the dependent and independent variables. In the remaining cases, the mode-time condition of the independent variable represented a more practicable survey procedure than did the mode-time combination of the predicted variable. All dependent variables represented mode-time combinations useful in planning and design.

The four homogeneous sets were concerned with predicting the total day (D) and peak hour (H) trips by highway oriented persons (P) and vehicles (V). Selection of the proper relationship would be based on the mode and time prediction desired; that same mode-time combination would be surveyed. Three of the other five relationships predicted peak hour vehicle (HV) trips using total day person (DP), total day



vehicle (DV), and peak hour person trips (HP). The results of these would be design hour traffic volumes, based on surveys of all employees, all those driving to work, and all those traveling in the peak hour respectively. The remaining two relationships used total day person trips (DP) to predict total day vehicle (DV) and peak hour person trips (HP). These represented a survey of all employees to predict daily vehicle traffic or a person trip design hour.

Tables A5 through A8 in Appendix A show results of the regressions for the free entry situation. In this situation the variables enter solution one at a time, in the order of the additional explained variation ( $R^2$ ) that their inclusion will yield. The variable entering also causes the greatest reduction in the error sum of squares of all variables not in solution. The tables show the order of entry of the four most significant independent variables for each street class or combination for prediction of the four different mode-time conditions of all purpose trips. Also given are the cumulative  $R^2$ , standard error of the estimate, and coefficient of variation at each step.

The  $R^2$  values describe the proportion of variability in the predicted trips explained by the factors included in the equation at that step. Here the standard error of estimate provides the upper confidence limit on each prediction. It is indicative of the possible error that the prediction procedure may be expected to exhibit. Adding one standard error to a predicted volume assures 0.84 probability that the true volume is not greater than the result; two



standard errors implies 0.97 probability of enclosing the true value. The standard error indicates the possible error in capacity due to use of a design hour volume obtained from the procedure described here. The coefficient of variation is the proportion that the standard error is of the mean. It is an indication of relative precision of the estimate. The increase in  $R^2$  and decrease in the standard error and coefficient of variation must be balanced against the increased cost of survey necessary in order to attain these.

All independent (single purpose) variables were available for selection in the free entry regressions. The entry order and parameters of fit were affected by the individual street classes or combination of street classes considered. The entry order for a given dependent variable for the separate classes was somewhat erratic, but for the combinations it was fairly uniform. The home-based work trip that was consistent with the mode-time condition of the dependent variable was the first variable to enter in all regressions. Predictions of total day volume usually chose shopping trips second, followed by the respective non-home-based work group. The reverse was true for predicting peak hour trips. It is apparent that shopping travel is more important in total day than in peak hour travel. The fourth entry was generally too erratic to permit valid conclusions.

The  $R^2$  values were better for peak hour prediction than for total day, and better for vehicle trips than for person trips. The  $R^2$  decreased with mean volume of the street group





considered. The  $R^2$  values for the FA and FAC classes were very similar, and the FA class was slightly higher in all situations but one. As more of the collector class was included with FA, the  $R^2$  decreased slightly, until at the T1 group it began to increase. The standard errors decreased with the mean volume of the analysis group. The comparison of coefficients of variation showed an increase as more links were included in the analysis group and the group mean volume decreased. The coefficients were consistently greater for person than for vehicle trips, and were larger for total day than for peak hour trips. These results indicated which variables were most important for predicting trips of various time-mode groups. They form a basis for comparison of the results of selected variable situations. It is significant that the basic element of the proposed revised survey procedure was always the most important predictive variable.

The destination place survey procedure previously proposed implied a logical order of variable entry into prediction equations. The most elemental survey would involve home-based work trips. Next would come, in addition, non-home-based work trips. The third step would involve home-based shopping trips as well. The results discussed henceforth are for regressions on these selected variables, indicating the cumulative results (fit) as each additional variable was selected for the equation.

The regressions were run for nine street class groups and nine prediction situations within each group. Tables A9



through A16 in Appendix A show results of the regressions for all groups and situations. Tables 5, 6, 7 and 8 in this chapter show more detailed results for the FAC and FA street class combination groups. The  $R^2$  and coefficient of variation values exhibited trends between street groups similar to those observed in the free entry situation. Comparisons of the results using person shopping trips versus vehicle shopping trips indicated that the vehicle trips usually explained more variation than the person group. As a result the vehicle mode was used for all home-based shop variables included in the analysis. Use of the vehicle mode permits a license plate survey of shop trips.

When using the same mode-time condition for both dependent and independent variables, the FAC group (all street system links) was second in prediction ( $R^2$ ) only to the freeway class (Table A9). The two groups were very close in all cases. The difference in  $R^2$  between separate street classes was greater than between progressive groups combining collectors with the FA group. The standard errors of the estimates decrease as more of the collector links are included with those in the FA group (Table A10). The FAC group exhibits the lowest standard errors in most situations. The coefficients of variation were less (Table A11). If precision is important, the FA group is better than the FAC, since the coefficients of variation are less. If capacity error is more important, the FAC group is better, since the standard errors are less. A good balance in this decision



Table 5. Parameters and Coefficients\* Multiple Linear Regression Selected Predictors Normal Dependent Conditions Entire Street System (FAC).

Y	X	Parameters				Coefficients			
		R <sup>2</sup>	$\Delta R^2$	S.E.	C.V.	P <sub>0</sub>	B <sub>1</sub>	B <sub>2</sub>	B <sub>3</sub>
DV	1	0.9307	--	717	0.249	620	1.488	--	--
	2	0.9573	0.0266	563	0.196	336	1.290	1.587	--
	13	0.9875	0.0302	304	0.106	123	1.140	1.489	1.615
DP	4	0.9076	--	1188	0.290	1083	1.601	--	--
	5	0.9337	0.0261	1007	0.237	602	1.379	1.986	--
	13	0.9792	0.0455	565	0.133	294	1.183	1.851	2.820
HV	7	0.9510	--	105	0.231	77	1.185	--	--
	8	0.9791	0.0281	69	0.152	31	1.133	1.271	--
	15	0.9911	0.0120	45	0.099	14	1.070	1.209	1.330
HP	10	0.9442	--	161	0.244	126	1.227	--	--
	11	0.9719	0.0277	114	0.173	59	1.172	1.486	--
	15	0.9866	0.0147	79	0.120	31	1.099	1.422	2.106

\* See page 105 for abbreviation key.



Table 6. Parameters and Coefficients\* Multiple Linear Regression Selected Predictors  
Special Dependent Conditions Entire Street System (FAC).

Y	X	Parameters				Coefficients			
		$R^2$	$\Delta R^2$	S.E.	C.V.	$B_0$	$B_1$	$B_2$	$B_3$
DV	4	0.9196	--	773	0.269	658	1.124	--	--
	5	0.9408	0.0211	663	0.231	406	0.985	1.246	--
	13	0.9765	0.0357	418	0.145	167	0.864	1.163	1.742
HP	4	0.9287	--	182	0.276	103	0.282	--	--
	5	0.9470	0.0193	157	0.238	44	0.250	0.290	--
	13	0.9577	0.0107	140	0.212	11	0.233	0.279	0.239
HV	4	0.9193	--	135	0.297	69	0.196	--	--
	5	0.9327	0.0134	123	0.270	34	0.176	0.173	--
	13	0.9423	0.0096	114	0.251	13	0.165	0.165	0.157
HV	10	0.9353	--	121	0.266	85	0.850	--	--
	11	0.9584	0.0231	97	0.213	42	0.815	0.943	--
	15	0.9737	0.0170	77	0.169	22	0.763	0.898	1.495
HV	1	0.9341	--	122	0.268	62	0.259	--	--
	2	0.9520	0.0179	104	0.228	21	0.231	0.226	--
	13	0.9586	0.0066	96	0.211	4	0.219	0.218	0.132

\* See page 105 for abbreviation key.





Table 7. Parameters and Coefficients\* Multiple Linear Regression Selected Predictors  
Normal Predicted Situations Freeway and Arterial Classes (FA).

Y	X	Parameters				Coefficients			
		R <sup>2</sup>	$\Delta R^2$	S.E.	C.V.	B <sub>0</sub>	B <sub>1</sub>	B <sub>2</sub>	B <sub>3</sub>
DV	1	0.9266	--	919	0.167	1183	1.382	--	--
	2	0.9524	0.0258	741	0.135	715	1.220	1.611	--
	13	0.9868	0.0344	391	0.071	314	1.215	1.456	1.513
DP	4	0.9043	--	1492	0.187	2047	1.465	--	--
	5	0.9305	0.0262	1273	0.159	1391	1.275	2.057	--
	13	0.9793	0.0488	695	0.087	689	1.158	1.827	2.555
HV	7	0.9561	--	129	0.146	147	1.131	--	--
	8	0.9799	0.0239	88	0.100	62	1.116	1.222	--
	15	0.9911	0.0112	59	0.066	36	1.064	1.140	1.248
HP	10	0.9519	--	195	0.154	231	1.167	--	--
	11	0.9737	0.0217	145	0.114	111	1.151	1.401	--
	15	0.9869	0.0132	102	0.080	67	1.092	1.321	1.955

\* See page 105 for abbreviation key.



Table 8. Parameters and Coefficients \* Multiple Linear Regression Selected Predictors  
Special Predicted Situations Freeway and Arterial Classes (FA).

Y	X	Parameters			Coefficients					
		$R^2$	$\Delta R^2$	S.E.	C.V.	$E_0$	$B_1$	$B_2$	$B_3$	
DV	DP	4	0.9119	--	1007	0.183	1299	1.035	--	--
		5	0.9316	0.0197	888	0.162	898	0.918	1.257	--
		13	0.9705	0.0389	583	0.106	458	0.845	1.113	1.603
HP	DP	4	0.9257	--	243	0.191	157	0.274	--	--
		5	0.9438	0.0181	211	0.166	56	0.245	0.316	--
		13	0.9538	0.0100	192	0.151	- 2	0.235	0.297	0.214
HV	DP	4	0.9084	--	187	0.212	118	0.118	--	--
		5	0.9206	0.0122	174	0.197	61	0.171	0.180	--
		13	0.9288	0.0082	165	0.187	24	0.165	0.168	0.134
HV	HP	10	0.9384	--	153	0.173	168	0.803	--	--
		11	0.9557	0.0172	130	0.147	93	0.793	0.864	--
		15	0.9687	0.0130	110	0.125	63	0.753	0.809	1.342
HV	DV	1	0.9314	--	162	0.184	94	0.252	--	--
		2	0.9486	0.0172	140	0.159	24	0.228	0.240	--
		13	0.9545	0.0059	132	0.150	- 6	0.221	0.228	0.114

\* See page 105 for abbreviation key.

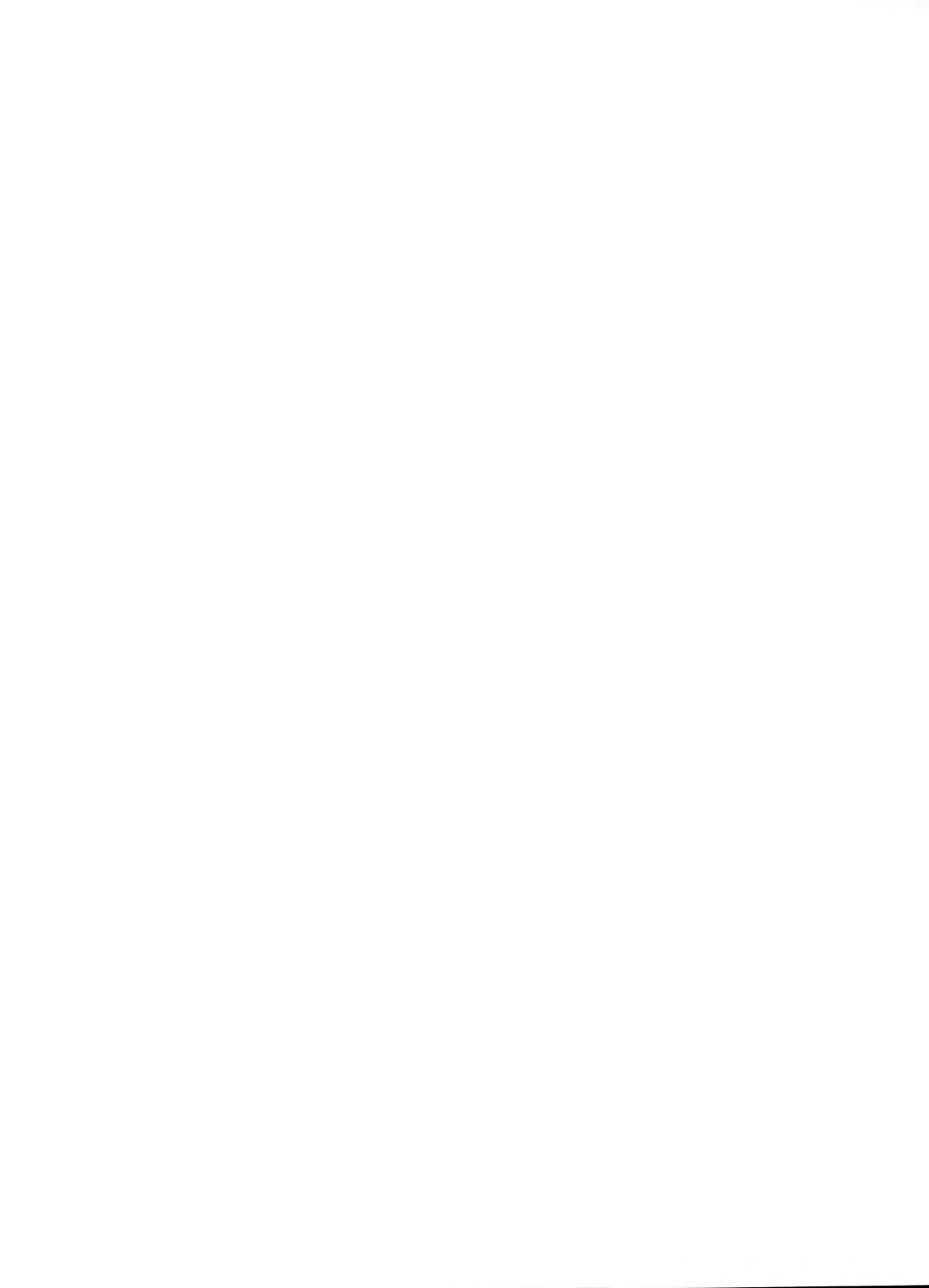


is desirable, but standard errors are more readily translatable into effects, i.e., design errors.

The regression coefficients shown in Tables 5 through 8 are related to the proportion that the several purpose groups are of total travel. The regression equation constants are indicative of the travel attributable to purposes not accounted for by the variables in the equation. The current research proposes no more than that these coefficients may be generally applicable. Their validity must be further tested to verify this premise.

The regressions involving dependent and independent variables of different mode-time groups are summarized in Tables A12 to A15 of Appendix A. The precision exhibited was not as good as in the homogeneous cases. The differences were slight in all cases, however, and probably easily rationalized in light of survey cost savings. The general trends of all parameters are similar to those observed in the homogeneous cases. Some discrepancies which are unexplainable may probably be best attributed to anomalies of the data or analysis. The important fact is that the generally excellent predictivity is exhibited in these situations which imply more feasible survey procedures.

The implications of these results are important to the selection of survey procedures. Based on the increase in  $R^2$  and the decrease in standard error of estimate and coefficient of variation, the order of survey complexity follows directly.



The same progression follows for all mode and time groups. A home-based work, vehicle trip survey requires employer records of those employees driving to work. A home-based work person trip survey requires tabulation of all employee records and a tabulation regarding mode. An all work trip (home- and non-home-based) survey requires interview of drivers or all employees, depending on the mode of interest. Extension to include shopping trips requires, in addition, a license plate survey at shopping districts. Decisions on the form of any revised survey procedure are best made according to costs and feasibility. This research has provided the study director with alternative procedures for replacing the costly home-interview survey. It must be his decision, in light of the community conditions, to select a feasible alternative which will provide valid travel patterns at the least possible cost.





## CHAPTER VII. APPLICATION OF THE METHOD

The techniques discussed in the preceding chapters were proposed to eliminate the need for a home-interview survey to establish the patterns of urban travel. It is the purpose of this chapter to suggest how the techniques proposed from the results of Chapter VI would be implemented in the urban transportation planning process. It is important to carry the results of the revised survey procedure through the stages of the planning process in order to demonstrate the revisions which must be made therein to account for the different data.

The geographical organization can proceed in a normal manner, defining the study area, zones and the transportation networks. The land use survey required would be limited for all classes except residential to defining the location, size of plot and extent of development. Since work is the only purpose group to be surveyed and employment is the generation parameter for work trips, there is no need to collect conventional land use data. Employment will be obtained at the time of the workplace contact. The economic base and population studies would be executed as usual. It is possible that further refinements of the proposed approach might require more detail from these socio-economic surveys. The



truck-taxi surveys would be executed in typical fashion. The external survey would be performed as usual but would eliminate all internal terminating trips for non-work purposes.

The major revisions concern the home-interview survey. If an all-purpose, peak hour analysis has been selected, the only revision will be elimination from the home-interview data of all but peak hour (as defined by the user) trips. Use of a work trip oriented approach would imply complete elimination of the home-interview. Further decisions on procedure rest on the extent of analysis desired. A home-based work oriented analysis requires only examination of employer records. The basic information to be obtained is the address of the employee's residence. Additional information regarding salary and family characteristics might also be obtained to refine the analysis and do special studies, providing necessary permission can be obtained. If the analysis is to consider trips during the entire day, all employees would be tabulated. A peak hour orientation would require definition of the shift or reporting (or leaving) time of the workers, selecting only those which would necessarily be traveling during the peak hour chosen. Use of vehicle trips only, or a need to determine mode for all travelers would employ a procedure such as having employees place their time cards in different bins, according to their travel mode. An alternative approach would involve mode tabulation for each worker by either supervisors or survey personnel.



Decision to include all work trips in the analysis would require a more involved survey. In essence, each worker would have to be interviewed in some manner. The interviews could be conducted one at a time by either supervisors or study staff personnel. Alternatively the workers could be surveyed by use of a questionnaire. Direction in completion of the questionnaire could be given either locally by monitors or to the entire work force simultaneously by means of a public address system. The basic data sought would be the address of the origin and destination of all trips made to or from the employment place. A "contact" survey could also obtain such information as mode, time, and routing of the work trip as well as attitudes regarding work travel. Use of a questionnaire is less satisfactory than an interview, but it is also less expensive and time consuming (Wohl, et al., 1959). The balance in difficulty and cost would have to be weighed against utility. Further extension of the proposed procedures to include shopping travel would involve tabulation of arrivals at major (defined by the analyst) shopping areas. Use of only home-based shopping trips by vehicles would merely require tabulation of license plates. This could include the usual parking study as an adjunct. Including all home-based shopping person trips would require tabulation of the number of persons arriving in each vehicle. Shopping trips by transit would be prohibitively difficult to survey.



A comparison of costs to obtain data would be of value at this point. Table 9 indicates the relative cost in hours of three approaches being discussed. The figures are based on a coding procedure developed at Purdue that would be an appropriate approach to handling employee records only (Zimmerman, 1967). The rate for employment place interviews was estimated at 20 per hour. One last note would be in regard to another alternative to the above proposed technique. Use of a city directory could provide similar information at a further cost reduction (Udy, 1962).

Depending on the survey procedure and approach selected, expansion of the survey results might be necessary in order to obtain true traffic volumes. The expansion could be made according to typical figures which have been shown to be quite stable and reliable (see Lapin, Chapter II). Alternatively the expansion could be based on figures from micro-sample home-interviews or questionnaires sent home with workers interviewed in the principal survey. The regression coefficients developed in the previous analysis may provide at least a good first approximation to expansion factors. The results of the survey or the expansion, as applicable, would be assigned to the street network in the same manner as usual, followed by the appropriate capacity restraint iterations. Development of the distribution model would use work and residential trip ends developed from the survey in the same manner as usually employed. The model results would be expanded by the traffic volume factors discussed previously





Table 9. Relative Cost in Hours of Three Alternative Survey Procedures.

	Lafayette	Indianapolis
Coding Employee Records (60 per hour)	353	5,627
Employee Interviews (20 per hour)	1,059	16,880
Home-Interview (5 percent sample) (1,842 hours each) *	1,641	20,598

\* Based on Data from Austin, Texas, Transportation Study, Published by the Texas Highway Department.



in order to perform screenline and cordon checks where appropriate.

Development of the future travel potential would, of course, be based on the economic base and population studies. These would be combined with the existing land use information to determine the future pattern of employment generating activities. After allocating employment and residential activities, the work trips would be distributed as before. The traffic expansion factors, modified to account for changes over time, are then used to obtain total volumes. These are assigned to the committed network and the assignments are adjusted as necessary by capacity restraint. The deficiencies are then taken into consideration in developing the new facilities of the target year transportation system.



## CHAPTER VIII. CONCLUSIONS

From the previous analysis, several conclusions can be drawn regarding the proposed hypotheses and related relationships:

1. The variance analysis proved to be of considerable value in development of the regression relationships.
2. The travel patterns of home-based work trips represent an excellent approximation to the travel patterns of trips of all purposes for peak hour or total daily travel.
3. Use of all work trips improves the above relationship slightly.
4. Use of shopping trips in addition to work trips further improves the representivity slightly.
5. The relationships discussed above were appropriate for travel by all highway oriented modes. Use of highway person trips showed marginally better results than auto driver trips.
6. The improved results observed in moving from statement 2 to statement 5 are due to the increased information obtained from the survey. The marginal improvements must be weighed against the increased cost due to the more extensive survey procedure.



7. Travel for all purposes during a peak hour showed excellent results in representing travel for all purposes during the entire day.
8. Total day travel for the work purpose was a good representative of the peak hour travel by all purposes.
9. Typical results of the regression analyses performed on IRTADS data are shown below.
- a. Predicting all purpose travel using all work and home-based shopping trips, for peak hour vehicle travel on the entire highway system:
- $$R^2 = 0.9911 \quad S.E. = 45 \quad C.V. = 0.099$$
- b. Predicting all purpose travel using all work and home-based shopping trips, for the total day vehicle travel on the entire highway system:
- $$R^2 = 0.9875 \quad S.E. = 304 \quad C.V. = 0.106$$
- c. Predicting all purpose peak hour vehicle travel using all work and home-based shopping person trips for the total day on the entire highway system:
- $$R^2 = 0.9423 \quad S.E. = 114 \quad C.V. = 0.250$$
- d. Predicting total day vehicle travel for all purposes using total day person trips for all work and home-based shopping purposes, on the freeway and arterial classes:
- $$R^2 = 0.9705 \quad S.E. = 583 \quad C.V. = 0.106$$
10. The data used in these analyses were samples from all work trips. The proposal survey procedures would include only trips to major employment concentrations.





## CHAPTER IX. RECOMMENDED EXTENSIONS AND RESEARCH

Based on the preceding analyses and conclusions, the following further study is recommended:

1. The regression coefficients of the prediction equations established for the IRTADS data should be tested on data from other urban areas. If no significant differences are found, the survey expansion procedure would be greatly simplified.
2. The representivity of the work trip for all purpose travel should be examined in different size urban areas in order to define the effect of size on representivity.
3. The surveys proposed in this research should be executed simultaneously with a traditional travel survey in order to define the relative strengths of each approach.
4. Further investigations should be made of the effect of characteristics of the place and type of employment on the observed relationships in order to improve the estimates of work trip generation. This seems appropriate because of the importance that work travel will assume in prediction of total urban travel.



5. Study should be made of the effect the number of the employees in each work place has on the observed relationship in order to better define the extent of survey required.
6. More detailed investigation should be made of the implications of various types of industrial and residential land use locations since this will become highly important in planning based on the procedure proposed here.
7. A study should be made of the effect on prediction of total travel by using only those trips to major employment concentrations. These effects should be established for urban areas of varying size.



LIST OF REFERENCES



## LIST OF REFERENCES

- Adams and Mackesey, 1955; Adams, L. P., and Mackesey, T. W., Commuting Patterns of Industrial Workers, Cornell University Housing Research Center, 1955.
- Bartlett, 1937; Bartlett, M. S., "Some Examples of Statistical Methods of Research in Agriculture and Applied Biology," Journal of the Royal Statistical Society, Volume 4, 1937.
- Beyer, 1951; Beyer, G. H., Housing and the Journey to Work, Cornell University Agricultural Experiment Station, 1951.
- Bouchard and Pyers, 1965; Bouchard, R. J., and Pyers, C. E., "Use of Gravity Model for Describing Urban Travel," Record 88, Highway Research Board, 1965.
- Box, 1954; Box, G. E. P., "Some Theorems on Quadratic Forms Applied in the Study of Analysis of Variance Problems," Annals of Mathematical Statistics, June, 1954.
- Bureau of Public Roads, 1964; Bureau of Public Roads, U. S. Department of Commerce, Traffic Assignment Manual, Washington, D. C., U. S. Government Printing Office, 1964.
- Bureau of Public Roads, 1965; Bureau of Public Roads, U. S. Department of Commerce, Calibrating and Testing A Gravity Model for Any Size Urban Area, Washington, D. C., U. S. Government Printing Office, 1965.
- Bureau of Public Roads, 1966a; Bureau of Public Roads, U. S. Department of Transportation, Preamble to a generally issued set of Research Problem Statements.
- Bureau of Public Roads, 1966b; Bureau of Public Roads, U. S. Department of Transportation, Personal communication regarding census questions.
- Campbell, 1960; Campbell, E. W., discussion in "Critique of Home-Interview Type O-D Surveys in Urban Areas," Bulletin 253, Highway Research Board, 1960.





- Carroll, 1950; Carroll, J. D., Jr., Home-Work Relationships of Industrial Workers, Unpublished Ph.D. Thesis, Harvard University, 1950.
- Carroll, 1952; Carroll, J. D., Jr., "The Relations of Homes to Work Places and the Spatial Pattern of Cities," Social Forces, Volume XXX, March, 1952.
- Cherniak, 1960; Cherniak, H. H., "Critique of Home-Interview Type O-D Surveys in Urban Area," Bulletin 253, Highway Research Board, 1960.
- Curran and Stegmaier, 1958; Curran, F. B., and Stegmaier, J. T., "Travel Patterns in 50 Cities," Bulletin 203, Highway Research Board, 1958.
- Gerlough, 1955; Gerlough, D. L., Poisson and Traffic, Saugatuck, Connecticut, The Eno Foundation for Highway Traffic Control, 1955.
- Glass, 1956; Glass, R., "London on the Move," London Times, June 18-19, 1956.
- Hill and Dodd, 1966, Hill, D. M., and Dodd, N., "Studies of Trends and Travel Between 1954 and 1964 in a Large Metropolitan Area," Record 141, Highway Research Board, 1966.
- Hixon, 1961; Hixon, C. D., "An Analysis of Urban Travel Times and Traffic Volume Characteristics," Bulletin 303, Highway Research Board, 1961.
- Hoover and Vernon, 1962; Hoover, E. M., and Vernon, R., Anatomy of a Metropolis, Garden City, New York, Doubleday and Company, 1962.
- Knox, 1962; Knox, N. P., "A Simplified Traffic Model for Small Cities," Traffic Quarterly, Volume 16, July, 1962.
- Lapin, 1964; Lapin, H. S., Structuring the Journey to Work, Philadelphia, University of Pennsylvania Press, 1964.
- Liepmann, 1944; Liepmann, K. K., The Journey to Work, Its Significance for Industrial and Community Life, New York, Oxford University Press, 1944.
- Loewenstein, 1965; Loewenstein, L. K., Residences and Work Places in Urban Areas, New York, The Scarecrow Press, Inc., 1965.
- London Transit System, 1949; London Travel Survey 1949, London Transport Executive, 1950.



- Lynch, 1960; Lynch, J. T., discussion in "Critique of Home-Interview Type O-D Surveys in Urban Areas," Bulletin 253, Highway Research Board, 1960.
- Mitchell and Rapkin, 1954; Mitchell, R. B., and Rapkin, C., Urban Traffic, A Function of Land Use, New York, Columbia University Press; 1954.
- Moore, 1957; Moore, E. F., "The Shortest Path Through a Maze," Proceedings, International Symposium on the Theory of Switching; Harvard University, 1957.
- Osofsky, 1959; Osofsky, S., "The Multiple Regression Method of Forecasting Traffic Volumes," Traffic Quarterly, Volume 13, July, 1959.
- Ostle, 1963; Ostle, B., Statistics in Research, Ames, Iowa, The Iowa State University Press, 1963.
- Parkes, 1941; Parkes, C. B., Bourneville Village Trust, When We Build Again, London, George Allen and University, Ltd., 1941.
- Shuldiner and Oi, 1962; Shuldiner, P. W., and Oi, W. Y., An Analysis of Urban Travel Demands, Evanston, Illinois, Northwestern University Press, 1962.
- Smith, 1961; Wilbur Smith and Associates, Future Highways and Urban Growth, commissioned by the Automobile Manufacturers Association, New Haven, Connecticut, 1961.
- Spiegelman and Duke, 1963; Spiegelman, R. G., and Duke, K. E., "Projecting Travel Demand for Urban Transportation Studies," Traffic Quarterly, Volume 17, July, 1963.
- Stewart, 1948; Stewart, J. Q., "Demographic Gravitation: Evidence and Application," Sociometry, Volume XI, February, 1948.
- Sullivan, 1963; Sullivan, S. W., "Variations in Personal Travel Habits by Day of Week," Record 41, Highway Research Board, 1963.
- Turner, 1967; Turner, F. C., Speech to Western Association of State Highway Officials; Honolulu, Hawaii, July 11, 1967.
- Udy, 1962; Udy, S. H., Jr., "Occupation, Commuting, and Limited Access Highway Use," Bulletin 347, Highway Research Board, 1962.
- Ullman, 1956; Ullman, E. L., "The Role of Transportation and the Bases for Interaction," in Man's Role in Changing the Face of the Earth, Chicago, University of Chicago Press, 1956.



APPENDIX A



- U. S. Congress, 1939; Toll Roads and Free Roads; House Document No. 272; 76th Congress; 1939.
- U. S. Congress, 1944; Federal Aid Highway Act of 1944; Public Law 78-840; 78th Congress, Second Session, 1944.
- U. S. Congress, 1952; Federal Aid Highway Act of 1952; Public Law 82-413, 82nd Congress, Second Session, 1952.
- U. S. Congress, 1956; Federal Aid Highway Act of 1956; Public Law 84-627; 84th Congress; Second Session; 1956.
- U. S. Congress, 1962; Federal Aid Highway Act of 1962; Public Law 87-866, 87th Congress, Second Session; 1962.
- U. C. L. A., 1966a; University of California at Los Angeles, Health Sciences Computing Facility, Computer Program "BMD-2V, Analysis of Variance for a Factorial Design," March 10, 1966.
- U. C. L. A. 1966b; University of California at Los Angeles, Health Sciences Computing Facility, Computer Program, "BMD-2R , Stepwise Regression," May 2, 1966.
- Voorhees, 1955; Voorhees, A. M., "A General Theory of Traffic Movement," Proceedings, Institute of Traffic Engineers, 1955.
- Voorhees, 1958; Voorhees, A. M., "Forecasting Peak Hours of Travel," Bulletin 203, Highway Research Board, 1958.
- Voorhees, et. al., 1966; Voorhees, A. M., Bellomo, S. J., Schofer, J. L., and Cleveland, D. E., "Factors in Work Trip Lengths;" Record 141, Highway Research Board, 1966.
- Westergaard, 1957; Westergaard, J., "Journeys to Work in The London Region," The Town Planning Review, April, 1957.
- Whitmore, 1965; Whitmore, R. E., Graphical and Mathematical Investigation of the Differences in Traveltime Factors for the Gravity Model Trip Distribution Formula in Several Specific Urban Areas, Knoxville, Civil Engineering Department, University of Tennessee, 1965.
- Williams and Robertson, 1965; Williams, T. E. H., and Robertson, D. M., "Traffic Generated by Households; Peak Period," Traffic Engineering and Control, Volume 6, March, 1965.





- Wohl, et. al., 1959; Wohl, M., Bone, A. J., Rose, B.,  
"Traffic Characteristics of Massachusetts Route 128,"  
Bulletin 230, Highway Research Board, 1959.
- Wynn, 1959; Wynn, F. H., "Studies of Trip Generation in  
the Nation's Capital, 1956-58," Bulletin 230,  
Highway Research Board, 1959.
- Zimmerman, 1967; Zimmerman, M. A., "The Journey to Work,"  
a paper submitted for course CE612 Urban Land Use  
Planning, at Purdue University, May, 1967.



## APPENDIX A

Abbreviation Key

## Dependent Variables (Y)

DV	Total Day Vehicle Trips
DP	Total Day Person Trips
HV	Peak Hour Vehicle Trips
HP	Peak Hour Person Trips

## Independent Variables (X)

1	Home-Based Work, Vehicle, Total Day
2	Non-Home-Based Work, Vehicle, Total Day
4	Home-Based Work, Person, Total Day
5	Non-Home-Based Work, Person, Total Day
7	Home-Based Work, Vehicle, Peak Hour
8	Non-Home-Based Work, Vehicle, Peak Hour
10	Home-Based Work, Person, Peak Hour
11	Non-Home Based Work, Person, Peak Hour
13	Home-Based Shop, Vehicle, Total Day
14	Home-Based Shop, Person, Total Day
15	Home-Based Shop, Vehicle, Peak Hour
16	Home-Based Shop, Person, Peak Hour
F	Freeways
A	Arterials
C	Collectors



FA	Combined Freeways and Arterials
FAC	Combined Freeways, Arterials and Collectors
T4	Freeways, Arterials and Collectors with volume greater than 4000
T3	Freeways, Arterials and Collectors with volume greater than 3000
T2	Freeways, Arterials and Collectors with volume greater than 2000
T1	Freeways, Arterials and Collectors with volume greater than 1000
H	Home
N	Non
B	Based
W	Work
S	Shop
PAS	Passenger
OTH	Other
D	Total Day
H	Peak Hour
V	Vehicle
P	Highway Person
$R^2$	Explained variation
$\Delta R^2$	Increase in Explained variation
S.E.	Standard Error of the estimate
C.V.	Coefficient of variation
$B_0$	Regression Equation Constant
$B_1$	Regression Coefficient of First Variable
$B_2$	Regression Coefficient of Second Variable
$B_3$	Regression Coefficient of Third Variable



Table A1. Analysis of Variance for Travel Volume.

Factor	Degrees of Freedom	Sum of Squares	Mean Square	F Ratio
M	2	390,696.9	195,348.4	*
T	23	492,524.0	21,414.1	*
P	5	467,009.9	93,402.0	*
MT	46	227,956.2	4,955.6	*
MP	10	585,531.9	58,553.2	*
TP	115	1,057,252.5	9,193.5	*
MTP	230	752,835.5	3,273.2	*
Error	1,296	28,157.0	21.7	*
Total	1,727	4,001,963.9		

\* F ratios are not shown because of the obvious significance of every factor and interaction.





Table A2. Analysis of Variance for Average Trip Length.

Factor	Degrees of Freedom	Sum of Squares	Mean Square	F Ratio
M	2	4,388.9	2,194.4	*
T	23	15,708.4	683.0	*
P	5	10,766.2	2,153.2	*
MT	46	5,261.0	114.4	*
MP	10	1,731.7	173.2	*
TP	115	9,045.9	78.7	*
MTP	230	10,649.1	46.3	*
Error	1,296	29,177.6	22.5	-
Total	1,727	80,728.9		

\* F ratios are not shown because of the obvious significance of every factor and interaction.



Table A3. Kolmogorov-Smirnov Test for Normality Maximum Differences for MOD-2 L.R.I.\*\*

	Freeways	Arterials	Collectors
HBW-V-D***	0.0845	0.0571	0.0475*
NHBW-V-D	0.1185*	0.0296	0.0772*
OTHER-V-D	0.0448	0.0371	0.0641*
HBW-P-D	0.1024	0.0621	0.0490*
NHBW-P-D	0.0688	0.0911*	0.4398*
OTHER-P-D	0.0313	0.0443	0.0420*
HBW-V-H	0.0974	0.0538	0.0812*
NHBW-V-H	0.0961	0.0624	0.1770*
OTHER-V-H	0.0670	0.0336	0.1016*
HBW-P-H	0.1061	0.0546	--
NHBW-P-H	0.1952*	0.2012*	--
OTHER-P-H	0.0348	0.0458	--
SAMPLE	218	529	1793

\* Significant at  $\alpha = 0.01$ .

\*\* Tests made on square root transformed data.

\*\*\* See page 105 for abbreviation key.



Table A4. Bartlett's Test for Variance Homogeneity Chi-Square for MOD-2 L.R.I. \*\*

	Freeway *	Arterial *	Degrees of Freedom
Between All Cells	739.98	245.91	11
Between Cells Within Time			
Day	129.69	69.17	5
Peak	112.58	41.67	5
Between Cells Within Purpose			
HBM	14.69	5.21	3
NHTW	75.25	21.52	3
OTHER	47.15	6.43	3

\* All values were significant at  $\alpha = 0.01$ .

\*\* Tests made on square root transformed data.



Table A5. Significance Order and Related Parameters\* Multiple Linear Regression Prediction of Total Day Vehicle Trips (DV) All Street Classes and Combinations.

F	A	C	FA	T4	T3	T2	T1	FAC
	<u>Variables Entered in Order (X)</u>							
1	1	1	1	1	1	1	1	1
13	14	2	13	13	13	13	13	13
2	2	13	2	2	2	2	2	2
4	13	14	4	4	4	4	4	4
<u>Cumulative Proportion Variation Explained (R<sup>2</sup>)</u>								
0.9730	0.8613	0.8108	0.9266	0.9168	0.9105	0.9116	0.9205	0.9307
0.9878	0.9364	0.8866	0.9659	0.9599	0.9533	0.9523	0.9571	0.9642
0.9943	0.9727	0.9631	0.9869	0.9840	0.9820	0.9821	0.9843	0.9875
0.9945	0.9769	0.9639	0.9874	0.9846	0.9826	0.9827	0.9849	0.9880
<u>Cumulative Standard Error of Estimate (S.E.)</u>								
799	951	656	919	900	866	824	769	717
537	645	437	627	625	626	605	565	516
368	423	250	391	395	389	371	341	304
363	397	247	381	388	382	365	336	299
<u>Cumulative Coefficient of Variation (C.V.)</u>								
0.137	0.178	0.317	0.167	0.169	0.175	0.186	0.208	0.249
0.092	0.120	0.245	0.114	0.118	0.126	0.136	0.153	0.179
0.063	0.079	0.140	0.071	0.074	0.079	0.084	0.092	0.106
0.062	0.074	0.138	0.069	0.073	0.077	0.082	0.091	0.104

\* See page 105 for abbreviation key.





Table A6. Significance Order and Related Parameters\* Multiple Linear Regression Prediction of Total Day Person Trips (DP) All Street Classes and Combinations.

F	A	C	FA	T4	T3	T2	T1	FA
	<u>Variables Entered in Order (X)</u>							
4	4	4	4	4	4	4	4	4
13	14	13	14	14	14	14	14	14
5	5	5	5	5	5	5	5	5
1	1	10	1	1	1	13	13	13
<u>Cumulative Proportion Variation Explained (R<sup>2</sup>)</u>								
0.9616	0.9610	0.7566	0.9043	0.9927	0.9840	0.8844	0.8946	0.9076
0.9857	0.9219	0.9674	0.9604	0.9579	0.9469	0.9449	0.9495	0.9570
0.9912	0.9600	0.9788	0.9709	0.9745	0.9713	0.9708	0.9733	0.9781
0.9916	0.9636	0.9396	0.9904	0.9758	0.9725	0.9721	0.9746	0.9793
<u>Cumulative Standard Error of Estimate (S.E.)</u>								
170	1525	947	1492	1455	1403	1340	1262	1189
839	994	699	360	954	951	925	874	810
658	713	475	702	711	699	674	635	578
647	681	472	677	693	684	659	608	563
<u>Cumulative Coefficient of Variation (C.V.)</u>								
0.160	0.197	0.353	0.187	0.188	0.194	0.206	0.232	0.280
0.098	0.128	0.261	0.120	0.123	0.132	0.142	0.160	0.191
0.077	0.092	0.177	0.033	0.093	0.097	0.104	0.117	0.136
0.075	0.088	0.176	0.055	0.090	0.095	0.102	0.112	0.133

\* See page 105 for abbreviation key.







Table A8. Significance (order and Related Parameters\* Multiple Linear Regression Prediction of Peak Hour Person Trips (HP) All Street Classes and Combinations.

F	A	C	FA	T4	T3	T2	T1	FAC	
		Variables Entered in Order (X)							
10	10	10	10	10	10	10	10	10	
11	11	11	11	11	11	11	11	11	
16	15	15	15	15	15	15	15	15	
7	13	13	16	16	13	13	13	13	
Cumulative Proportion Variation Explained (R <sup>2</sup> )									
0.9859	0.9013	0.9305	0.9519	0.9444	0.9373	0.9344	0.9379	0.9442	
0.9925	0.9449	0.9737	0.9692	0.9664	0.9644	0.9644	0.9671	0.9719	
0.9955	0.9751	0.9610	0.9690	0.9647	0.9836	0.9832	0.9843	0.9866	
0.9960	0.9761	0.9644	0.9675	0.9653	0.9841	0.9838	0.9850	0.9873	
Cumulative Standard Error of Estimate (S.E.)									
154	207	136	195	194	190	184	174	161	
112	155	96	145	144	139	136	126	114	
87	105	65	102	102	97	94	87	79	
82	102	62	100	100	96	92	85	77	
Cumulative Coefficient of Variation (C.V.)									
0.116	0.166	0.334	0.154	0.158	0.166	0.180	0.204	0.244	
0.084	0.125	0.236	0.114	0.117	0.121	0.133	0.148	0.173	
0.066	0.084	0.160	0.080	0.083	0.085	0.092	0.102	0.120	
0.062	0.082	0.152	0.079	0.081	0.084	0.090	0.100	0.117	

\* See page 105 for abbreviation key.



Table A9. Proportion of Explained Variation ( $R^2$ ) Multiple Linear Regression \* Selected Predictors Normal Prediction Situations All Street Classes and Combinations.

	Home-Based Work		Non-Home-Based Work		Home-Based Shop	
	P	V	P	V	P	V
F	D 0.9616	0.9730	0.9702	0.9816	0.9912	0.9943
	H 0.9859	0.9809	0.9925	0.9926	0.9949	0.9959
A	D 0.8160	0.9013	0.8692	0.9104	0.9602	0.9759
	H 0.9013	0.9157	0.9449	0.9625	0.9945	0.9845
C	D 0.7560	0.8108	0.8229	0.8866	0.9388	0.9631
	H 0.8305	0.8540	0.9149	0.9374	0.9610	0.9744
FA	D 0.9043	0.9266	0.9305	0.9524	0.9793	0.9868
	H 0.9519	0.9561	0.9737	0.9799	0.9869	0.9911
T4	D 0.8927	0.9168	0.9191	0.9443	0.9749	0.9840
	H 0.9444	0.9493	0.9693	0.9764	0.9847	0.9895
T3	D 0.8840	0.9105	0.9107	0.9393	0.9721	0.9820
	H 0.9373	0.9434	0.9664	0.9739	0.9836	0.9885
T2	D 0.8844	0.9116	0.9111	0.9407	0.9718	0.9821
	H 0.9344	0.9412	0.9644	0.9724	0.9832	0.9882
T1	D 0.8946	0.9205	0.9206	0.9483	0.9744	0.9843
	H 0.9379	0.9450	0.9671	0.9750	0.9843	0.9893
FAC	D 0.9076	0.9307	0.9337	0.9573	0.9792	0.9875
	H 0.9442	0.9510	0.9719	0.9791	0.9866	0.9911

\* See page 105 for abbreviation key.





Table A10. Standard Error of Estimate (S.E.) Multiple Linear Regression \* Selected Predictors Normal Prediction Situations All Street Classes and Combinations.

	Home-Based Work			Non-Home-Based Work			Home-Based Shop						
	P	V	V	P	V	V	P	V	V				
F	D	1370	799	1210	660	658	368	H	190	112	76	93	57
A	D	1525	951	1287	765	711	397	H	208	155	92	105	59
C	D	947	565	808	437	475	250	H	136	96	57	65	37
FA	D	1492	919	1273	741	695	391	H	195	145	88	102	58
T4	D	1455	900	1264	737	704	395	H	194	144	87	102	58
T3	D	1403	866	1232	713	689	389	H	190	139	85	97	57
T2	D	1340	824	1175	675	663	371	H	184	126	83	93	54
T1	D	1262	769	1096	620	623	341	H	174	126	77	87	50
FAC	D	1188	717	1007	563	565	304	H	161	114	69	79	45

\* See page 105 for abbreviation key.



Table All. Coefficient of Variation (C.V.) Multiple Linear Regression \* Selected Predictors Normal Prediction Situations All Street Classes and Combinations.

	Home-based Work		Non-Home-based Work		Home-based Shop	
	P	V	F	V	P	V
F	D 0.160	0.137	0.141	0.113	0.077	0.063
	H 0.136	0.111	0.084	0.083	0.070	0.062
A	D 0.197	0.178	0.166	0.143	0.092	0.074
	H 0.167	0.159	0.125	0.106	0.084	0.068
C	D 0.353	0.317	0.301	0.245	0.177	0.140
	H 0.334	0.314	0.236	0.206	0.160	0.134
FA	D 0.197	0.167	0.159	0.135	0.087	0.071
	H 0.154	0.146	0.114	0.100	0.080	0.066
T4	D 0.188	0.169	0.164	0.139	0.091	0.074
	H 0.158	0.169	0.117	0.102	0.083	0.068
T3	D 0.194	0.175	0.171	0.144	0.096	0.079
	H 0.166	0.159	0.121	0.107	0.085	0.072
T2	D 0.206	0.186	0.191	0.152	0.102	0.084
	H 0.190	0.170	0.133	0.117	0.091	0.076
T1	D 0.232	0.209	0.201	0.168	0.114	0.092
	H 0.204	0.194	0.148	0.131	0.102	0.085
FAC	D 0.280	0.249	0.237	0.196	0.133	0.106
	H 0.244	0.231	0.173	0.152	0.120	0.099

\* See page 105 for abbreviation key.



Table A12. Proportion of Variation Explained ( $R^2$ ) Multiple Linear Regression\* Prediction of Total Day Vehicle Trips (DV) Peak Hour Person Trips (HP) Based on Total Day Person Trips (DP) All Street Classes and Combinations.

	Home-Based Work			Non-Home-Based Work			Home-Based Shop		
	DV	HP	HP	DV	HP	HP	DV	DV	HP
F	0.9685	0.9691		0.9733	0.9753		0.9777	0.9777	0.9772
A	0.8216	0.8629		0.8697	0.8968		0.9459	0.9459	0.9211
C	0.7952	0.8000		0.8542	0.8519		0.9442	0.9442	0.8966
FA	0.9119	0.9257		0.9116	0.9439		0.9705	0.9705	0.9539
T4	0.9025	0.9147		0.9219	0.9352		0.9663	0.9663	0.9463
T3	0.8974	0.9044		0.9163	0.9272		0.9643	0.9643	0.9409
T2	0.8989	0.9056		0.9190	0.9277		0.9656	0.9656	0.9415
T1	0.9077	0.9157		0.9293	0.9352		0.9700	0.9700	0.9475
FAC	0.8761	0.9297		0.9040	0.9470		0.9377	0.9377	0.9577

\* See page 105 for abbreviation key.



Table A13. Standard Error of Estimate (S.E.) Multiple Linear Regression<sup>\*</sup> Prediction of Total Day Vehicle Trips (DV) Peak Hour Person Trips (HP) Based on Total Day Person Trips (PP) All Street Classes and Combinations.

	Home-Based Work		Non-Home-Based Work		Home-Based Shop	
	DV	HP	DV	HP	DV	HP
F	889	227	796	203	540	196
A	1049	245	923	212	596	186
C	598	148	496	127	307	111
FA	1007	244	888	211	592	192
T4	974	240	872	209	573	190
T3	927	231	824	205	547	185
T2	831	221	789	193	514	174
T1	829	202	730	177	472	160
FAC	960	132	845	157	681	140

\* See page 105 for abbreviation key.





Table A14. Coefficient of Variation (C.V.) Multiple Linear Regression \* Prediction of Total Day Vehicle Trips (DV) Peak Hour Person Trips (HP) Based on Total Day Person Trips (DP) All Street Classes and Combinations.

	Home-Based Work		Non-Home-Based Work		Home-Based Shop	
	DV	HP	DV	HP	DV	HP
F	0.152	0.171	0.136	0.153	0.093	0.148
A	0.191	0.137	0.172	0.170	0.111	0.150
C	0.330	0.363	0.278	0.418	0.172	0.273
FA	0.183	0.191	0.162	0.166	0.106	0.151
T4	0.183	0.135	0.164	0.170	0.108	0.154
T3	0.187	0.105	0.160	0.179	0.111	0.162
T2	0.193	0.216	0.177	0.188	0.116	0.170
T1	0.224	0.237	0.197	0.209	0.128	0.188
FAC	0.334	0.276	0.294	0.238	0.237	0.212

\* See page 105 for abbreviation key.



Table A15. Proportion of Variation Explained ( $R^2$ ) Multiple Linear Regression Prediction of Peak Hour Vehicle Trips (HV) Three Special Prediction Situations All Street Classes and Combinations.

		HPW	NHPW	HBS
F	DP	0.9607	0.9634	0.9658
	HP	0.9904	0.9857	0.9896
	DV	0.9732	0.9764	0.9779
A	DP	0.8373	0.8617	0.8799
	HP	0.9797	0.9137	0.9413
	DV	0.8761	0.9104	0.9232
C	DP	0.7956	0.8343	0.8665
	HP	0.8214	0.8904	0.9400
	DV	0.8110	0.8643	0.8884
FA	DP	0.9084	0.9206	0.9298
	HP	0.9394	0.9557	0.9587
	DV	0.9314	0.9496	0.9545
T4	DP	0.8959	0.9000	0.9180
	HP	0.9317	0.9500	0.9656
	DV	0.9201	0.9400	0.9405
T3	DP	0.8800	0.9021	0.9130
	HP	0.9066	0.9474	0.9642
	DV	0.9109	0.9328	0.9412
T2	DP	0.8913	0.9054	0.9166
	HP	0.9342	0.9465	0.9650
	DV	0.9127	0.9322	0.9422
T1	DP	0.9032	0.9124	0.9279
	HP	0.9370	0.9502	0.9679
	DV	0.9217	0.9412	0.9487
FAC	DP	0.9192	0.9327	0.9423
	HP	0.9353	0.9584	0.9737
	DV	0.9341	0.9520	0.9586

\* See page 105 for abbreviation key.



Table A16. Standard Error of Estimate (S.E.) Coefficient of Variation (C.V.) Multiple Linear Regression Prediction of Peak Hour Vehicle Trips (HV) Three Special Prediction Situations All Street Classes and Combinations.

		Standard Error (S.E.)			Coefficient of Variation (C.V.)		
		HBW	NHBW	HBS	HBW	NHBW	HBS
F	DP	174	168	163	0.189	0.183	0.177
	HP	123	107	94	0.134	0.116	0.102
	DV	144	135	131	0.157	0.147	0.142
A	DP	190	176	164	0.219	0.203	0.189
	HP	164	139	115	0.189	0.160	0.133
	DV	166	141	131	0.192	0.163	0.151
C	DP	103	93	84	0.372	0.336	0.303
	HP	97	76	56	0.350	0.274	0.202
	DV	99	84	77	0.357	0.303	0.278
FA	DP	187	174	165	0.212	0.197	0.187
	HP	152	130	110	0.172	0.147	0.125
	DV	162	140	132	0.194	0.159	0.150
T4	DP	194	172	162	0.215	0.201	0.190
	HP	142	127	106	0.174	0.148	0.124
	DV	161	140	132	0.188	0.164	0.154
T3	DP	177	165	156	0.224	0.208	0.196
	HP	144	121	100	0.180	0.152	0.126
	DV	157	137	128	0.198	0.172	0.161
T2	DP	165	164	145	0.232	0.217	0.204
	HP	139	116	94	0.194	0.163	0.132
	DV	148	129	120	0.208	0.182	0.169
T1	DP	151	139	130	0.256	0.236	0.221
	HP	131	108	87	0.222	0.183	0.148
	DV	136	118	110	0.231	0.200	0.187
FAC	DP	135	123	114	0.297	0.270	0.250
	HP	121	97	77	0.266	0.213	0.169
	DV	122	104	96	0.268	0.228	0.211

\* See page 105 for abbreviation key.



APPENDIX B

TABLE B-1. 24 HOUR TRIP ACCUMULATIONS IN THE SYSTEM

TRUCK DRIVER --- TRUCK DRIVER

PERIOD	TRIPS	PERIOD	TRIPS	PERIOD	TRIPS	PERIOD	TRIPS	PERIOD	TRIPS	PERIOD	TRIPS	PERIOD	TRIPS
0-1	3	4-1	59	7-1	3837	10-1	3741	13-1	3741	16-1	1546	19-1	340
0-2	0	4-2	52	7-2	3282	10-2	391	13-2	391	16-2	1528	19-2	400
0-3	0	4-3	57	7-3	3181	10-3	406	13-3	406	16-3	1631	19-3	491
0-4	0	4-4	63	7-4	3050	10-4	420	13-4	420	16-4	1723	19-4	272
0-5	1	4-5	52	7-5	2588	10-5	373	13-5	373	16-5	1595	19-5	274
0-6	0	4-6	75	7-6	2664	10-6	462	13-6	462	16-6	2211	19-6	298
0-7	0	4-7	74	7-7	2366	10-7	433	13-7	433	16-7	2151	19-7	234
0-8	0	4-8	87	7-8	1844	10-8	478	13-8	478	16-8	2326	19-8	243
0-9	0	4-9	80	7-9	2275	10-9	521	13-9	521	16-9	2362	19-9	249
1-0	242	5-0	81	7-0	1209	10-0	322	13-0	322	16-0	2104	19-0	234
1-1	229	5-1	127	7-1	1276	10-1	434	13-1	434	16-1	2174	19-1	278
1-2	201	5-2	123	7-2	1326	10-2	502	13-2	502	16-2	2142	19-2	263
1-3	192	5-3	136	7-3	1374	10-3	474	13-3	474	16-3	2204	19-3	263
1-4	118	5-4	134	7-4	1374	10-4	474	13-4	474	16-4	2204	19-4	263
1-5	118	5-5	122	7-5	2184	10-5	611	13-5	611	16-5	2661	19-5	266
1-6	121	5-6	216	7-6	789	10-6	359	13-6	359	16-6	2757	19-6	305
1-7	152	5-7	227	7-7	665	10-7	384	13-7	384	16-7	2592	19-7	304
1-8	97	5-8	243	7-8	635	10-8	444	13-8	444	16-8	2563	19-8	337
1-9	85	5-9	317	7-9	576	10-9	324	13-9	324	16-9	2491	19-9	312
2-0	69	6-0	335	7-0	409	10-0	261	13-0	261	16-0	1376	19-0	292
2-1	84	6-1	561	7-1	632	10-1	374	13-1	374	16-1	2037	19-1	438
2-2	70	6-2	601	7-2	322	10-2	394	13-2	394	16-2	1411	19-2	310
2-3	62	6-3	783	7-3	341	10-3	381	13-3	381	16-3	1428	19-3	313
2-4	50	6-4	793	7-4	338	10-4	343	13-4	343	16-4	1745	19-4	315
2-5	48	6-5	415	7-5	258	10-5	368	13-5	368	16-5	1842	19-5	255
2-6	34	6-6	1356	7-6	278	10-6	507	13-6	507	16-6	1277	19-6	329
2-7	63	6-7	1416	7-7	255	10-7	479	13-7	479	16-7	1102	19-7	417
2-8	66	6-8	1624	7-8	234	10-8	541	13-8	541	16-8	1093	19-8	324
2-9	69	6-9	1715	7-9	229	10-9	529	13-9	529	16-9	1935	19-9	414
3-0	34	7-0	1697	7-0	187	10-0	504	13-0	504	16-0	792	19-0	297
3-1	63	7-1	2350	7-1	237	10-1	761	13-1	761	16-1	781	19-1	355
3-2	51	7-2	2412	7-2	230	10-2	827	13-2	827	16-2	945	19-2	332
3-3	42	7-3	2654	7-3	253	10-3	827	13-3	827	16-3	622	19-3	333
3-4	44	7-4	2793	7-4	238	10-4	866	13-4	866	16-4	577	19-4	333
3-5	39	7-5	2664	7-5	179	10-5	788	13-5	788	16-5	413	19-5	245
3-6	39	7-6	3474	7-6	294	10-6	1049	13-6	1049	16-6	349	19-6	320
3-7	40	7-7	3473	7-7	270	10-7	1077	13-7	1077	16-7	407	19-7	335
3-8	40	7-8	3673	7-8	270	10-8	1164	13-8	1164	16-8	430	19-8	338
3-9	44	7-9	3455	7-9	281	10-9	1164	13-9	1164	16-9	480	19-9	347
4-0	31	8-0	4107	7-0	261	10-0	1044	13-0	1044	16-0	240	19-0	247

SUM OF 24 HOUR TRIPS IN THE CATEGORY 15045

MINIMUM VALUE -11

MAXIMUM VALUE 3475

CHECKSUM ERROR HONK HONK





TABLE 1. PERIODS OF ACCUMULATION IN THE SYSTEM

PERIODS OF ACCUMULATION IN THE SYSTEM

PERIOD	TRIPS	PERIOD	TRIPS	PERIOD	TRIPS	PERIOD	TRIPS	PERIOD	TRIPS	PERIOD	TRIPS
0-1	0	4-4	62	8-11	440	12-11	349	16-11	2027	20-11	462
0-2	2	4-2	55	8-3	431	12-2	4-3	16-2	2007	20-2	36P
0-3	2	4-3	52	8-3	406	12-3	4-3	16-3	2149	20-3	372
0-4	0	5-4	69	8-4	308	12-4	4-9	16-4	2267	20-4	465
0-5	0	4-5	60	8-5	326	12-5	4-9	16-5	2196	20-5	447
0-6	0	5-6	75	8-6	337	12-6	3-6	16-6	2366	20-6	333
0-7	0	4-7	86	8-7	247	12-7	4-6	16-7	2853	20-7	243
0-8	0	4-8	103	8-8	268	12-8	5-8	16-8	3116	20-8	397
0-9	0	4-9	102	8-9	233	12-9	5-8	16-9	3170	20-9	314
1-0	0	5-0	143	8-0	130	13-0	6-8	17-0	3452	21-0	281
1-1	0	5-1	144	8-1	159	13-1	4-7	17-1	3416	21-1	362
1-2	0	5-2	148	8-2	144	13-2	4-7	17-2	3416	21-2	352
1-3	0	5-3	160	8-3	129	13-3	4-6	17-3	3716	21-3	382
1-4	0	5-4	159	8-4	116	13-4	4-6	17-4	3716	21-4	338
1-5	0	5-5	159	8-5	97	13-5	4-6	17-5	3281	21-5	335
1-6	0	5-6	291	8-6	97	13-6	4-5	17-6	3635	21-6	462
1-7	0	5-7	231	8-7	75	13-7	3-6	17-7	3635	21-7	463
1-8	0	5-8	389	8-8	620	13-8	3-7	17-8	4433	21-8	369
1-9	0	5-9	428	8-9	776	13-9	3-7	17-9	3253	21-9	375
2-0	0	6-0	453	8-0	465	14-0	4-2	18-0	4556	22-0	521
2-1	0	6-1	756	8-1	689	14-1	4-1	18-1	4671	22-1	336
2-2	0	6-2	538	8-2	625	14-2	5-1	18-2	2417	22-2	454
2-3	0	6-3	1022	8-3	833	14-3	5-3	18-3	2989	22-3	369
2-4	0	6-4	1103	8-4	862	14-4	4-7	18-4	2179	22-4	366
2-5	0	6-5	1132	8-5	746	14-5	4-3	18-5	1557	22-5	330
2-6	0	6-6	1325	8-6	1374	14-6	4-3	18-6	1581	22-6	370
2-7	0	6-7	1393	8-7	125	14-7	4-2	18-7	1399	22-7	375
2-8	0	6-8	2172	8-8	275	14-8	4-1	18-8	1340	22-8	347
2-9	0	6-9	2522	8-9	295	14-9	4-0	18-9	1251	22-9	340
3-0	0	7-0	2769	8-0	244	15-0	4-1	19-0	851	23-0	322
3-1	0	7-1	3111	8-1	377	15-1	3-6	19-1	864	23-1	434
3-2	0	7-2	3007	8-2	267	15-2	4-8	19-2	767	23-2	408
3-3	0	7-3	3536	8-3	267	15-3	3-6	19-3	737	23-3	416
3-4	0	7-4	3536	8-4	267	15-4	3-6	19-4	737	23-4	416
3-5	0	7-5	3536	8-5	267	15-5	3-6	19-5	737	23-5	416
3-6	0	7-6	4032	8-6	308	15-6	3-6	19-6	644	23-6	368
3-7	0	7-7	4931	8-7	387	15-7	3-6	19-7	471	23-7	408
3-8	0	7-8	4931	8-8	314	15-8	3-6	19-8	467	23-8	446
3-9	0	7-9	4473	8-9	314	15-9	3-6	19-9	461	23-9	446
4-0	0	8-0	4034	8-0	248	16-0	3-6	20-0	34	24-0	335

SUM OF 74 HOLD TRIPS IN THE CATEGORY 13162

MINIMUM VALUE -21

MAXIMUM VALUE 4514

CHECKSUM CHECKS POWDRK ALLPER



APPENDIX B



IRTAUS-0000000F 1754 TRIP ACCUMULATIONS IN THE SYSTEM

TABLE WORK ---- MODE DRIVER

PERIOD	TRIPS	PERIOD	TRIPS	PERIOD	TRIPS	PERIOD	TRIPS	PERIOD	TRIPS	PERIOD	TRIPS
0.1	0	8.1	4070	12.1	1364	16.1	2333	20.1	621		
0.2	0	8.2	3976	12.2	1368	16.2	947	20.2	947		
0.3	0	8.3	3758	12.3	1458	16.3	5692	20.3	5692		
0.4	0	8.4	3675	12.4	1452	16.4	2910	20.4	434		
0.5	0	8.5	3161	12.5	1325	16.5	2308	20.5	431		
0.6	0	8.6	3082	12.6	1507	16.6	3071	20.6	319		
0.7	0	8.7	2930	12.7	1464	16.7	2976	20.7	413		
0.8	0	8.8	2699	12.8	1448	16.8	3226	20.8	326		
0.9	0	8.9	2473	12.9	1554	16.9	3258	20.9	333		
1.0	260	9.0	1673	13.0	1332	17.0	2931	21.0	278		
1.1	265	9.1	1795	13.1	1464	17.1	3170	21.1	344		
1.2	240	9.2	1502	13.2	1365	17.2	3694	21.2	357		
1.3	218	9.3	1476	13.3	1342	17.3	3712	21.3	373		
1.4	203	9.4	1335	13.4	1325	17.4	3698	21.4	379		
1.5	134	9.5	1119	13.5	1108	17.5	3249	21.5	325		
1.6	142	9.6	1204	13.6	1218	17.6	3270	21.6	373		
1.7	121	9.7	1114	13.7	1151	17.7	3334	21.7	365		
1.8	115	9.8	1075	13.8	1133	17.8	3250	21.8	366		
1.9	112	9.9	1044	13.9	1090	17.9	3160	21.9	372		
2.0	78	10.0	715	14.0	874	18.0	2486	22.0	370		
2.1	37	10.1	728	14.1	1052	18.1	2535	22.1	380		
2.2	82	10.2	860	14.2	1095	18.2	2330	22.2	360		
2.3	73	10.3	810	14.3	1031	18.3	2684	22.3	363		
2.4	58	10.4	711	14.4	943	18.4	1911	22.4	232		
2.5	56	10.5	676	14.5	943	18.5	1623	22.5	366		
2.6	69	10.6	758	14.6	1041	18.6	1404	22.6	322		
2.7	69	10.7	758	14.7	1060	18.7	1304	22.7	325		
2.8	71	10.8	769	14.8	1114	18.8	1274	22.8	364		
2.9	69	10.9	764	14.9	1134	18.9	1214	22.9	358		
3.0	99	11.0	605	15.0	1016	19.0	847	23.0	333		
3.1	67	11.1	894	15.1	1375	19.1	897	23.1	395		
3.2	94	11.2	811	15.2	1361	19.2	780	23.2	372		
3.3	47	11.3	826	15.3	1451	19.3	758	23.3	391		
3.4	47	11.4	933	15.4	1482	19.4	518	23.4	375		
3.5	42	11.5	733	15.5	1338	19.5	518	23.5	324		
3.6	94	11.6	974	15.6	1784	19.6	565	23.6	338		
3.7	90	11.7	763	15.7	1754	19.7	504	23.7	360		
3.8	44	11.8	1047	15.8	1840	19.8	487	23.8	376		
3.9	50	11.9	1079	15.9	1860	19.9	462	23.9	340		
4.0	37	12.0	940	16.0	1723	20.0	366	24.0	329		

SUM OF 24 HOUR TRIPS IN THE CATEGORY 22140  
 MINIMUM VALUE -14  
 MAXIMUM VALUE 4036  
 CHECKSUM ERROR WDKK \*HYPER



STATUS-DUPLIC 1964 TRIP ACCUMULATIONS IN THE SYSTEM

TABLE WORK --- MODE HYPER

PERILO	TRIPS	PERIOD	TRIPS	PERIOD	TRIPS	PERILO	TRIPS	PERIOD	TRIPS	PERILO	TRIPS	PERIOD	TRIPS
0.1	0	4.1	69	8.1	5000	12.1	1547	16.1	2914	20.1	511		
0.2	0	4.2	64	8.2	4944	12.2	1556	16.2	2863	20.2	474		
0.3	0	4.3	73	8.3	4727	12.3	1627	16.3	3033	20.3	443		
0.4	0	4.4	69	8.4	4566	12.4	1665	16.4	3166	20.4	474		
0.5	0	4.5	69	8.5	3894	12.5	1524	16.5	2920	20.5	382		
0.6	0	4.6	101	8.6	3594	12.6	1741	16.6	3493	20.6	433		
0.7	0	4.7	176	8.7	3522	12.7	1593	16.7	3854	20.7	366		
0.8	0	4.8	114	8.8	3252	12.8	1700	16.8	3884	20.8	366		
0.9	0	4.9	114	8.9	2195	12.9	1739	16.9	4210	20.9	414		
1.0	382	5.0	109	9.0	1946	13.0	1519	17.0	4310	21.0	350		
1.1	356	5.1	166	9.1	2041	13.1	1681	17.1	4843	21.1	462		
1.2	317	5.2	167	9.2	1800	13.2	1567	17.2	4762	21.2	432		
1.3	283	5.3	184	9.3	1670	13.3	1539	17.3	4778	21.3	447		
1.4	264	5.4	194	9.4	1596	13.4	1518	17.4	4763	21.4	450		
1.5	169	5.5	175	9.5	1273	13.5	1266	17.5	4199	21.5	394		
1.6	182	5.6	303	9.6	1367	13.6	1391	17.6	4982	21.6	440		
1.7	159	5.7	325	9.7	1295	13.7	1314	17.7	4278	21.7	432		
1.8	144	5.8	422	9.8	1215	13.8	1296	17.8	4167	21.8	438		
1.9	143	5.9	564	9.9	1179	13.9	1236	17.9	4050	21.9	445		
2.0	130	6.0	467	10.0	914	14.0	522	18.0	3160	22.0	356		
2.1	130	6.1	815	10.1	1013	14.1	1214	18.1	3272	22.1	445		
2.2	113	6.2	845	10.2	971	14.2	1142	18.2	2917	22.2	416		
2.3	106	6.3	1043	10.3	936	14.3	1147	18.3	2727	22.3	425		
2.4	76	6.4	1131	10.4	911	14.4	1147	18.4	2599	22.4	419		
2.5	79	6.5	1223	10.5	774	14.5	992	18.5	1869	22.5	341		
2.6	47	6.6	1774	10.6	684	14.6	1272	18.6	1878	22.6	433		
2.7	93	6.7	2069	10.7	925	14.7	1236	18.7	1595	22.7	419		
2.8	89	6.8	2861	10.8	832	14.8	1309	18.8	1542	22.8	433		
2.9	98	6.9	2504	10.9	826	14.9	1335	18.9	1468	22.9	425		
3.0	72	7.0	2495	11.0	718	15.0	1202	19.0	1096	23.0	360		
3.1	79	7.1	3340	11.1	440	15.1	1656	19.1	1050	23.1	449		
3.2	67	7.2	3475	11.2	901	15.2	1743	19.2	1070	23.2	462		
3.3	56	7.3	3671	11.3	905	15.3	1743	19.3	960	23.3	426		
3.4	50	7.4	4681	11.4	806	15.4	1826	19.4	966	23.4	459		
3.5	50	7.5	3933	11.5	806	15.5	1667	19.5	610	23.5	405		
3.6	63	7.6	4461	11.6	1073	15.6	2257	19.6	680	23.6	500		
3.7	58	7.7	4331	11.7	1059	15.7	2219	19.7	608	23.7	455		
3.8	56	7.8	5071	11.8	1157	15.8	2322	19.8	586	23.8	442		
3.9	59	7.9	5054	11.9	1197	15.9	2343	19.9	581	23.9	494		
4.0	41	8.0	4600	12.0	1137	16.0	2165	20.0	443	24.0	433		

SUM OF 24 HOUR TRIPS IN THE CATEGORY 27135  
 MINIMUM VALUE -23  
 MAXIMUM VALUE 5071  
 CHECKSUM FORCK WORK ALLPER





TRIPS-PHASE 1-664 TRIP ACCUMULATIONS IN THE SYSTEM

TABLE PH-SHOP --- MODE DRIVER

PERIOD	TRIPS	PERIOD	TRIPS	PERIOD	TRIPS	PERIOD	TRIPS	PERIOD	TRIPS	PERIOD	TRIPS
0.1	0	6.1	2	8.1	42	12.1	540	16.1	627	20.1	835
0.2	0	4.2	2	8.2	25	12.2	506	16.2	597	20.2	777
0.3	0	4.3	2	8.3	69	12.3	516	16.3	626	20.3	762
0.4	0	4.4	2	8.4	46	12.4	509	16.4	628	20.4	748
0.5	0	4.5	1	8.5	87	12.5	621	16.5	574	20.5	618
0.6	0	4.6	3	8.6	113	12.6	466	16.6	673	20.6	662
0.7	0	4.7	3	8.7	114	12.7	454	16.7	650	20.7	634
0.8	0	4.8	4	8.8	179	12.8	472	16.8	701	20.8	624
0.9	0	4.9	4	8.9	116	12.9	474	16.9	733	20.9	647
1.0	12	5.0	3	9.0	171	13.0	420	17.0	745	21.0	542
1.1	11	5.1	5	9.1	146	13.1	526	17.1	754	21.1	548
1.2	10	5.2	3	9.2	205	13.2	444	17.2	743	21.2	515
1.3	8	5.3	5	9.3	221	13.3	448	17.3	774	21.3	506
1.4	7	5.4	6	9.4	245	13.4	444	17.4	757	21.4	506
1.5	3	5.5	5	9.5	227	13.5	462	17.5	650	21.5	410
1.6	1	5.6	6	9.6	240	13.6	525	17.6	734	21.6	405
1.7	1	5.7	6	9.7	270	13.7	513	17.7	741	21.7	367
1.8	2	5.8	6	9.8	341	13.8	523	17.8	744	21.8	543
1.9	0	5.9	7	9.9	345	13.9	518	17.9	406	21.9	395
2.0	0	6.0	8	10.0	317	14.0	460	18.0	645	22.0	233
2.1	0	6.1	13	10.1	439	14.1	310	18.1	437	22.1	776
2.2	0	6.2	14	10.2	537	14.2	315	18.2	537	22.2	243
2.3	0	6.3	15	10.3	533	14.3	534	18.3	521	22.3	231
2.4	0	6.4	16	10.4	513	14.4	484	18.4	525	22.4	151
2.5	0	6.5	16	10.5	465	14.5	460	18.5	704	22.5	151
2.6	0	6.6	15	10.6	571	14.6	521	18.6	440	22.6	161
2.7	0	6.7	15	10.7	565	14.7	494	18.7	420	22.7	132
2.8	0	6.8	18	10.8	439	14.8	504	18.8	452	22.8	110
2.9	0	6.9	19	10.9	603	14.9	510	18.9	448	22.9	194
3.0	0	7.0	16	11.0	517	15.0	464	19.0	735	23.0	65
3.1	0	7.1	23	11.1	640	15.1	480	19.1	404	23.1	60
3.2	0	7.2	24	11.2	546	15.2	505	19.2	474	23.2	54
3.3	0	7.3	33	11.3	579	15.3	511	19.3	444	23.3	46
3.4	0	7.4	35	11.4	570	15.4	525	19.4	497	23.4	48
3.5	0	7.5	39	11.5	511	15.5	464	19.5	794	23.5	28
3.6	1	7.6	65	11.6	673	15.6	549	19.6	446	23.6	23
3.7	1	7.7	64	11.7	578	15.7	533	19.7	447	23.7	26
3.8	1	7.8	67	11.8	576	15.8	554	19.8	474	23.8	26
3.9	1	7.9	69	11.9	542	15.9	560	19.9	443	23.9	23
4.0	1	8.0	74	12.0	502	16.0	491	20.0	764	24.0	23

SUM OF 24 HOUR TRIPS IN THE CATEGORY 7365  
 MINIMUM VALUE 21  
 MAXIMUM VALUE 964  
 EFFECTIVE PERCENT HUSHUP 147478



TABLES-PURDUE 1964 TRIP ACCUMULATIONS IN THE SYSTEM

TABLE HUBSHOP --- MODE HUBPER

PERIOD	TRIPS	PERIOD	TRIPS	PERIOD	TRIPS	PERIOD	TRIPS	PERIOD	TRIPS	PERIOD	TRIPS	PERIOD	TRIPS
0-1	0	4-1	2	8-1	116	12-1	738	16-1	970	20-1	1477		
0-2	0	4-2	2	8-2	112	12-2	711	16-2	912	20-2	1392		
0-3	0	4-3	2	8-3	122	12-3	720	16-3	955	20-3	1361		
0-4	0	4-4	2	8-4	120	12-4	722	16-4	964	20-4	1347		
0-5	0	4-5	1	8-5	109	12-5	695	16-5	873	20-5	1114		
0-6	0	4-6	3	8-6	145	12-6	699	16-6	1058	20-6	1208		
0-7	9	4-7	3	8-7	149	12-7	652	16-7	1042	20-7	1159		
0-8	0	4-8	6	8-8	159	12-8	673	16-8	1107	20-8	1192		
0-9	0	4-9	6	8-9	176	12-9	542	16-9	1133	20-9	1175		
1-0	16	5-0	5	9-0	199	13-0	547	17-0	1072	21-0	954		
1-1	16	5-1	7	9-1	291	13-1	747	17-1	1143	21-1	982		
1-2	14	5-2	7	9-2	275	13-2	643	17-2	1117	21-2	906		
1-3	10	5-3	7	9-3	266	13-3	638	17-3	1131	21-3	888		
1-4	10	5-4	4	9-4	313	13-4	710	17-4	1174	21-4	875		
1-5	6	5-5	7	9-5	302	13-5	660	17-5	1013	21-5	705		
1-6	3	5-6	8	9-6	406	13-6	745	17-6	1232	21-6	692		
1-7	3	5-7	4	9-7	466	13-7	717	17-7	1169	21-7	613		
1-8	2	5-8	4	9-8	449	13-8	720	17-8	1202	21-8	593		
1-9	2	5-9	7	9-9	449	13-9	694	17-9	1041	21-9	465		
2-0	0	6-0	8	10-0	666	14-0	883	18-0	1296	22-0	465		
2-1	0	6-1	16	10-1	653	14-1	725	18-1	1220	22-1	495		
2-2	1	6-2	14	10-2	652	14-2	725	18-2	1220	22-2	495		
2-3	1	6-3	15	10-3	677	14-3	763	18-3	1298	22-3	363		
2-4	1	6-4	16	10-4	696	14-4	753	18-4	1291	22-4	352		
2-5	0	6-5	15	10-5	631	14-5	642	18-5	1191	22-5	230		
2-6	0	6-6	17	10-6	764	14-6	749	18-6	1345	22-6	416		
2-7	0	6-7	17	10-7	756	14-7	998	18-7	1280	22-7	189		
2-8	0	6-8	29	10-8	891	14-8	710	18-8	1376	22-8	171		
2-9	0	6-9	22	10-9	805	14-9	624	18-9	1341	22-9	161		
3-0	0	7-0	14	11-0	843	15-0	637	19-0	1361	23-0	36		
3-1	0	7-1	30	11-1	717	15-1	776	19-1	1467	23-1	98		
3-2	0	7-2	36	11-2	745	15-2	744	19-2	1414	23-2	75		
3-3	0	7-3	41	11-3	777	15-3	754	19-3	1482	23-3	71		
3-4	9	7-4	45	11-4	796	15-4	761	19-4	1436	23-4	54		
3-5	4	7-5	43	11-5	694	15-5	676	19-5	1326	23-5	41		
3-6	1	7-6	83	11-6	803	15-6	405	19-6	1514	23-6	44		
3-7	1	7-7	82	11-7	775	15-7	742	19-7	1473	23-7	40		
3-8	1	7-8	86	11-8	796	15-8	746	19-8	1506	23-8	40		
3-9	9	7-9	93	11-9	742	15-9	434	19-9	1519	23-9	43		
4-0	1	8-0	95	12-0	640	16-0	716	20-0	1376	24-0	33		

SUM OF 24-HOUR TRIPS IN THE CATEGORY 11059  
 MINIMUM VALUE ---1  
 MAXIMUM VALUE 1514  
 CHECKSUM ERROR HUBSHOP ALLPER



STATS-PERIOD 1964 TRIP ACCUMULATIONS IN THE SYSTEM

TABLE PH/TOT --- MODE DRIVER

PERIOD	TRIPS	PERIOD	TRIPS	PERIOD	TRIPS	PERIOD	TRIPS	PERIOD	TRIPS	PERIOD	TRIPS
0-1	0	7-1	42-7	12-1	157-8	16-1	32-1	20-1	241-1		
0-2	0	4-2	41-2	12-2	153-4	16-2	29-1	20-2	22-0		
0-3	0	4-3	40-6	12-3	155-7	16-3	31-6	20-3	22-0		
0-4	0	4-4	39-5	12-4	157-0	16-4	32-0	20-4	21-6		
0-5	0	4-5	36-5	12-5	135-8	16-5	291-8	20-5	17-5		
0-6	0	4-6	31	12-6	137-3	16-6	37-2	20-6	16-7		
0-7	0	4-7	33-3	12-7	181-0	16-7	36-1	20-7	17-8		
0-8	0	4-8	34-8	12-8	159-2	16-8	34-8	20-8	15-8		
0-9	0	4-9	34-3	12-9	171-7	16-9	33-1	20-9	15-8		
0-S	0	4-0	20-4	12-0	133-6	17-0	35-2	20-S	16-2		
1-1	848	5-1	221-5	13-1	162-8	17-1	66-3	21-1	16-3		
1-2	344	5-2	20-0	13-2	153-8	17-2	66-2	21-2	16-3		
1-3	321	5-3	19-6	13-3	155-6	17-3	45-7	21-3	16-2		
1-4	307	5-4	18-0	13-4	156-4	17-4	45-8	21-4	16-1		
1-5	21-9	5-5	13-9	13-5	139-4	17-5	40-9	21-5	13-7		
1-6	21-9	5-6	16-3	13-6	151-6	17-6	66-1	21-6	14-2		
1-7	188	5-7	15-1	13-7	146-9	17-7	44-7	21-7	14-5		
1-8	130	5-8	12-0	13-8	146-7	17-8	44-6	21-8	14-2		
1-9	17-9	5-9	14-5	13-9	142-7	17-9	44-5	21-9	14-4		
2-0	122	6-0	11-6	14-0	113-6	18-0	36-7	22-0	11-8		
2-1	129	6-1	14-0	14-1	147-1	18-1	41-6	22-1	13-1		
2-2	127	6-2	13-6	14-2	134-4	18-2	38-4	22-2	17-0		
2-3	129	6-3	13-9	14-3	143-7	18-3	35-3	22-3	12-4		
2-4	129	6-4	13-8	14-4	147-1	18-4	37-9	22-4	12-6		
2-5	94	6-5	11-6	14-5	126-4	18-5	29-8	22-5	10-2		
2-6	121	6-6	13-3	14-6	139-9	18-6	33-3	22-6	11-2		
2-7	112	6-7	13-2	14-7	134-1	18-7	30-0	22-7	10-5		
2-8	113	6-8	13-4	14-8	163-6	18-8	31-3	22-8	10-3		
2-9	110	6-9	13-9	14-9	167-7	18-9	30-4	22-9	10-5		
3-0	86	7-0	11-2	15-0	132-1	19-0	28-3	23-0	9-2		
3-1	76	7-1	141-4	15-1	147-1	19-1	34-1	23-1	9-8		
3-2	76	7-2	13-6	15-2	147-3	19-2	27-1	23-2	9-8		
3-3	69	7-3	13-6	15-3	210-6	19-3	27-6	23-3	9-8		
3-4	67	7-4	13-7	15-4	217-6	19-4	27-6	23-4	9-0		
3-5	53	7-5	12-0	15-5	137-7	19-5	23-4	23-5	7-1		
3-6	66	7-6	14-9	15-6	250-7	19-6	26-3	23-6	8-2		
3-7	59	7-7	13-9	15-7	244-7	19-7	25-6	23-7	7-7		
3-8	56	7-8	14-2	15-8	257-4	19-8	25-6	23-8	7-2		
3-9	57	7-9	13-0	15-9	260-4	19-9	25-6	23-9	7-6		
4-0	39	8-0	13-1	16-0	234-8	20-0	21-8	24-0	61-8		

SLP CF 24 HOUR TRIPS IN THE CATEGORY 34049  
 MINIMUM VALUE -22  
 MAXIMUM VALUE 4661  
 CHECKSUM FRICK HU/TOT HWYPR



TABLE 1402-FOURDE 1464 TRIP MODES IN THE SYSTEM

TABLE 1402-1 --- CONT. PREVIOUS PAGE

PERIOD	TRIPS	A. T.	T. T.	W. T.	TRIPS	W. T.	TRIPS	PERIOD	TRIPS	W. T.	TRIPS
0.1	0	6.1	82	8.1	6139	12.1	2761	16.1	6775	20.1	6431
0.2	0	6.2	75	8.2	5940	12.2	2594	16.2	4592	20.2	4629
0.3	0	6.3	87	8.3	5860	12.3	2727	16.3	4782	20.3	4929
0.4	0	6.4	91	8.4	5781	12.4	2841	16.4	4862	20.4	3957
0.5	0	6.5	80	8.5	5723	12.5	1690	16.5	4394	20.5	3204
0.6	0	6.6	113	8.6	5435	12.6	2246	16.6	5587	20.6	3563
0.7	0	6.7	137	8.7	4434	12.7	2702	16.7	5371	20.7	3184
0.8	0	6.8	124	8.8	4497	12.8	2110	16.8	7787	20.8	3155
0.9	0	6.9	126	8.9	4196	12.9	1464	16.9	5845	20.9	3179
1.0	926	5.0	112	8.0	2932	13.0	1543	17.0	5213	21.0	2587
1.1	578	5.1	174	8.1	3125	13.1	2481	17.1	6540	21.1	2472
1.2	593	5.2	173	8.2	1841	13.2	2730	17.2	6453	21.2	2802
1.3	462	5.3	186	8.3	2722	13.3	2737	17.3	6636	21.3	2772
1.4	649	5.4	195	8.4	2616	13.4	2739	17.4	6673	21.4	2775
1.5	406	5.5	173	8.5	2073	13.5	1334	17.5	5214	21.5	2264
1.6	317	5.6	316	8.6	2756	13.6	2176	17.6	6784	21.6	2526
1.7	271	5.7	336	8.7	2120	13.7	2398	17.7	6502	21.7	2402
1.8	259	5.8	437	8.8	2302	13.8	2038	17.8	6443	21.8	2466
1.9	250	5.9	641	8.9	1775	13.9	2027	17.9	6447	21.9	2480
2.0	180	6.0	484	10.0	1558	14.0	1553	18.0	5312	22.0	2628
2.1	214	6.1	871	10.1	1478	14.1	2053	18.1	6072	22.1	2294
2.2	189	6.2	1743	10.2	1670	14.2	1872	18.2	2681	22.2	2113
2.3	195	6.3	1326	10.3	1661	14.3	2649	18.3	2666	22.3	2112
2.4	177	6.4	1291	10.4	1641	14.4	2011	18.4	5232	22.4	2075
2.5	171	6.5	1291	10.5	1641	14.5	2011	18.5	4232	22.5	1945
2.6	171	6.6	2056	10.6	1857	14.6	2301	18.6	5076	22.6	1945
2.7	152	6.7	2161	10.7	1762	14.7	2135	18.7	4634	22.7	1715
2.8	151	6.8	2444	10.8	1403	14.8	1469	18.8	4830	22.8	1732
2.9	149	6.9	2586	10.9	1412	14.9	2675	18.9	4803	22.9	1714
3.0	116	7.0	5556	11.0	5554	15.0	3910	19.0	3910	23.0	1559
3.1	126	7.1	3523	11.1	1415	15.1	2827	19.1	4834	23.1	1587
3.2	106	7.2	3653	11.2	1432	15.2	2456	19.2	4613	23.2	1457
3.3	96	7.3	4068	11.3	1664	15.3	3263	19.3	4721	23.3	1456
3.4	92	7.4	4307	11.4	1401	15.4	3466	19.4	4735	23.4	1413
3.5	72	7.5	4126	11.5	1677	15.5	3188	19.5	4047	23.5	1157
3.6	85	7.6	5520	11.6	1484	15.6	3345	19.6	4760	23.6	1324
3.7	75	7.7	5533	11.7	1430	15.7	3102	19.7	4594	23.7	1221
3.8	72	7.8	5873	11.8	2042	15.8	4132	19.8	4640	23.8	1257
3.9	74	7.9	5940	11.9	2076	15.9	4138	19.9	4622	23.9	1261
4.0	52	8.0	5522	12.0	1473	16.0	3739	20.0	3906	24.0	1002

SUM OF 24 HOUR TRIPS IN THE CATEGORY 5132  
 PERIOD VALUE 442  
 PERIOD VALUE 674  
 ENERGY PER HOUR 411/201





LEADS=PERIOD 1964 TCR ACCUMULATIONS IN THE SYSTEM

TABLE TOTAL --- 6-DIG BTYPE

PERIOD	TCRIPS	PERIOD	TCR	PERIOD	TCRIPS	PERIOD	TCRIPS	PERIOD	TCRIPS	PERIOD	TCRIPS
0-1	0	0-1	72	12-1	4163	13-1	6376	20-1	3040		
0-2	0	0-2	69	12-2	3929	13-2	5200	20-2	2840		
0-3	0	0-3	73	12-3	3176	13-3	4659	20-3	2826		
0-4	0	0-4	83	12-4	3136	13-4	4554	20-4	2772		
0-5	0	0-5	74	12-5	2411	13-5	4149	20-5	2293		
0-6	0	0-6	106	12-6	3166	13-6	5174	20-6	2479		
0-7	0	0-7	101	12-7	3383	13-7	5014	20-7	2289		
0-8	0	0-8	119	12-8	3177	13-8	4377	20-8	2247		
0-9	0	0-9	123	12-9	3235	13-9	5456	20-9	2272		
1-0	469	1-1	111	12-10	2787	13-10	4468	21-0	1872		
1-1	452	1-2	160	13-1	3184	14-1	6356	21-1	2163		
1-2	416	1-3	163	13-2	3746	14-2	5443	21-2	2095		
1-3	487	1-4	173	13-3	4006	14-3	6245	21-3	2040		
1-4	464	1-5	181	13-4	4308	14-4	6094	21-4	2023		
1-5	358	1-6	165	13-5	4586	14-5	5351	21-5	1694		
1-6	358	1-7	205	13-6	5883	14-6	6919	21-6	1847		
1-7	721	1-8	243	13-7	2763	14-7	5789	21-7	1733		
1-8	210	1-9	367	13-8	2704	14-8	5679	21-8	1733		
1-9	18	2-0	434	13-9	2587	14-9	5651	21-9	1774		
2-0	175	2-1	606	14-0	2776	15-0	5129	22-0	1746		
2-1	170	2-2	707	14-1	2947	15-1	4787	22-1	1546		
2-2	150	2-3	766	14-2	2947	15-2	4787	22-2	1546		
2-3	193	2-4	921	14-3	3213	15-3	4664	22-3	1322		
2-4	192	2-5	1017	14-4	2611	15-4	4517	22-4	1539		
2-5	112	2-6	1053	14-5	2959	15-5	3628	22-5	1211		
2-6	137	2-7	1439	14-6	2734	15-6	3776	22-6	1345		
2-7	127	2-8	1772	14-7	2642	15-7	3672	22-7	1221		
2-8	127	2-9	2028	14-8	2774	15-8	3744	22-8	1266		
2-9	123	3-0	2158	14-9	3119	15-9	3647	22-9	1245		
3-0	77	3-1	2130	15-0	2594	16-0	2260	23-0	1070		
3-1	106	3-2	2427	15-1	3169	16-1	3489	23-1	1176		
3-2	86	3-3	3036	15-2	3113	16-2	3246	23-2	1090		
3-3	76	3-4	3372	15-3	3270	16-3	4332	23-3	1048		
3-4	75	3-5	3681	15-4	3361	16-4	4360	23-4	1076		
3-5	59	3-6	3659	15-5	3304	16-5	2826	23-5	872		
3-6	74	3-7	4824	15-6	3722	16-6	3271	23-6	1021		
3-7	67	3-8	4951	15-7	3611	16-7	3487	23-7	519		
3-8	64	3-9	4775	15-8	3947	16-8	3147	23-8	326		
3-9	66	4-0	4436	15-9	3383	16-9	2184	23-9	376		
4-0	46	4-1	4490	16-0	3463	24-0	2717	24-0	746		

SUM OF 24 TCRIPS IN THE CATEGORY 47145  
 MINIMUM VALUE -23  
 MAXIMUM VALUE 6058  
 CPECSUM FPKCR TOTAL FPKPER



1-TAUS-MURQUE 1964 TRIP ACCUMULATIONS IN THE SYSTEM

TABLE TOTAL --- KODE HAYPER

PERIOD	TRIPS	PERIOD	TRIPS	PERIOD	TRIPS	PERIOD	TRIPS	PERIOD	TRIPS	PERIOD	TRIPS	PERIOD	TRIPS
0-1	0	4-1	7101	12-1	4212	16-1	6383	20-1	5410				
0-2	6	4-2	6916	12-2	4144	16-2	6201	20-2	5099				
0-3	100	4-3	5878	12-3	4134	16-3	6421	20-3	5050				
0-4	0	4-4	106	12-4	4769	16-4	6549	20-4	4857				
0-5	0	4-5	347	12-5	3737	16-5	5327	20-5	4075				
0-6	0	4-6	132	12-6	4316	16-6	7351	20-6	4465				
0-7	0	4-7	127	12-7	4106	16-7	7251	20-7	4465				
0-8	0	4-8	87	12-8	4106	16-8	7251	20-8	4465				
0-9	0	4-9	151	12-9	2876	16-9	7794	20-9	4671				
1-0	0	5-0	141	12-0	4425	17-0	6305	20-0	4649				
1-1	0	5-1	201	13-1	3902	17-1	6508	21-1	3766				
1-2	0	5-2	207	13-2	4328	17-2	6366	21-2	3960				
1-3	0	5-3	223	13-3	4366	17-3	6366	21-3	3960				
1-4	0	5-4	238	13-4	4366	17-4	6366	21-4	3960				
1-5	0	5-5	217	13-5	4057	17-5	6552	21-5	3545				
1-6	0	5-6	365	13-6	3504	17-6	6552	21-6	3545				
1-7	0	5-7	387	13-7	3327	17-7	6122	21-7	2771				
1-8	0	5-8	472	13-8	3739	17-8	6064	21-8	3036				
1-9	0	5-9	548	13-9	3617	17-9	7389	21-9	3945				
2-0	0	6-0	545	14-0	2913	18-0	6561	22-0	2443				
2-1	0	6-1	954	14-1	3594	18-1	7870	22-1	2761				
2-2	0	6-2	1046	14-2	3527	18-2	6843	22-2	2550				
2-3	0	6-3	1264	14-3	2843	18-3	6754	22-3	2215				
2-4	0	6-4	1393	14-4	2942	18-4	6576	22-4	2442				
2-5	0	6-5	1437	14-5	2359	18-5	5375	22-5	2010				
2-6	0	6-6	2263	14-6	2485	18-6	6347	22-6	2143				
2-7	0	6-7	2375	14-7	2372	18-7	5884	22-7	2074				
2-8	0	6-8	2702	14-8	3374	18-8	3763	22-8	2647				
2-9	0	6-9	2871	14-9	3072	18-9	3666	22-9	2647				
3-0	0	7-0	2845	15-0	3430	19-0	4951	23-0	1621				
3-1	0	7-1	2683	15-1	4026	19-1	4717	23-1	1621				
3-2	0	7-2	6932	15-2	3147	19-2	4427	23-2	1782				
3-3	0	7-3	6832	15-3	3147	19-3	4678	23-3	1768				
3-4	0	7-4	6432	15-4	3244	19-4	3664	23-4	1717				
3-5	0	7-5	6633	15-5	2909	19-5	6425	23-5	1425				
3-6	0	7-6	6163	15-6	3689	19-6	5410	23-6	1621				
3-7	0	7-7	6250	15-7	3406	19-7	5496	23-7	1474				
3-8	0	7-8	6636	15-8	3609	19-8	5628	23-8	1516				
3-9	0	7-9	6736	15-9	3702	19-9	5617	23-9	1515				
4-0	0	8-0	6309	16-0	3378	20-0	4425	24-0	1218				

SUM OF 24 PERIOD TRIPS IN THE CATEGORY F8215  
 MAXIMUM VALUE -42  
 MINIMUM VALUE -852  
 CUMULATIVE TOTAL ALLPER



## TRIP CCUNTS FOR SAMPLE 1 BY MODE DRIVER

HCUR	WORK	SHOP	SCHOOL	PB-VC	SIR-EM	CTHER	P-BDRK	HRSHOP	HB-SCL	HBPBMD	HBSREM	HBDTHR
1	10	0	0	1	12	1	8	0	0	1	10	0
2	8	0	0	0	5	0	8	0	0	0	4	0
3	9	1	0	0	1	0	8	1	0	0	1	0
4	14	2	0	0	1	0	11	1	0	0	1	0
5	44	2	0	0	0	1	36	1	0	0	0	1
6	230	2	5	1	11	8	201	2	5	1	10	7
7	460	12	59	9	7	11	387	11	51	8	7	10
8	209	23	50	20	18	3	151	19	46	16	15	2
9	107	58	5	27	25	0	50	45	4	22	22	0
10	89	128	3	45	39	0	22	85	8	33	35	5
11	124	110	18	34	45	5	31	84	16	22	32	5
12	180	85	24	47	43	6	58	19	19	31	32	4
13	126	98	2	44	46	3	39	65	1	28	38	3
14	149	93	21	37	34	6	72	62	18	24	23	5
15	217	73	38	27	49	20	123	50	27	26	39	16
16	350	129	14	28	63	41	250	104	10	22	52	32
17	292	125	15	21	42	32	229	104	14	18	76	28
18	108	113	10	37	114	17	92	90	8	31	101	16
19	40	137	3	21	138	6	28	105	3	18	115	6
20	21	96	2	9	95	9	12	74	2	7	78	8
21	41	49	6	12	73	9	35	38	5	10	58	8
22	44	13	1	4	60	6	38	9	1	2	47	5
23	31	5	0	3	47	9	25	4	1	3	36	8
24	33	2	0	2	13	4	25	2	0	1	11	3



## TRIP COUNTS FOR SAMPLE 1 BY MODE PASNGR

HOUR	WORK	SHOP	SCHOOL	PB-MC	SR-EM	C.THER.	HBDRK*	HBSHOP	HB-SCL	HBPRMO	HBSREM	HBOTHR
1	3	0	0	0	5	0	2	0	0	0	5	0
2	1	0	0	0	3	0	1	0	0	0	3	0
3	2	0	0	0	0	0	2	0	0	0	0	0
4	2	2	0	0	1	0	2	1	0	0	1	0
5	15	0	0	0	1	0	13	0	0	0	1	0
6	65	1	.3	1	3	4	64	1	3	1	3	4
7	129	4	80	2	12	5	118	4	79	1	11	5
8	30	7	53	4	8	1	27	6	51	7	17	1
9	13	24	4	14	20	0	7	21	12	12	18	0
10	5	39	4	17	8	0	3	24	3	10	7	0
11	19	36	20	17	29	1	4	26	17	8	21	1
12	38	37	28	18	33	2	10	26	21	17	25	2
13	10	37	5	10	25	0	4	16	4	6	20	0
14	25	37	14	13	22	0	18	24	12	6	18	0
15	63	42	67	10	29	2	42	28	62	9	26	2
16	93	56	8	17	51	4	78	42	6	15	44	2
17	83	63	12	9	63	3	68	50	10	7	53	3
18	25	64	10	16	107	1	20	58	7	12	93	1
19	16	109	4	14	148	4	12	86	2	11	131	3
20	14	74	3	4	100	0	11	64	2	4	82	0
21	8	22	4	4	62	1	6	19	3	3	48	1
22	1	10	1	1	61	1	6	4	0	1	48	1
23	10	0	2	0	45	4	9	0	2	0	35	3
24	8	1	1	3	18	0	7	1	1	3	17	0





## TRIP COUNTS FOR SAMPLE 1 BY MODE TRANSIT

HOUR	WORK	SHOP	SCHOOL	PB-WD	SR-EM	CTHER	PE-MRK	HBSHOP	HB-SCL	HBPBMD	HBSRCM	HBOTHR
1	0	0	0	0	0	0	0	0	0	0	0	0
2	0	0	0	0	0	0	0	0	0	0	0	0
3	0	0	0	0	0	0	0	0	0	0	0	0
4	0	0	0	0	0	0	0	0	0	0	0	0
5	0	0	0	0	0	0	0	0	0	0	0	0
6	14	0	0	0	0	0	14	0	2	0	1	0
7	42	0	2	0	1	0	38	0	183	0	1	0
8	26	2	183	3	0	0	23	2	163	2	0	0
9	9	3	164	2	1	0	9	3	2	2	1	0
10	6	4	2	3	0	0	6	3	2	3	0	0
11	6	6	5	0	0	0	3	4	5	0	0	0
12	1	3	12	4	1	0	0	3	12	4	1	0
13	6	2	1	4	0	0	5	2	0	4	0	0
14	4	5	90	3	0	1	3	5	89	3	0	1
15	16	2	199	3	0	1	15	1	198	2	0	1
16	30	4	24	3	0	2	24	2	22	3	0	2
17	50	2	1	2	3	0	44	2	22	2	0	2
18	11	3	1	0	3	0	10	2	1	2	3	3
19	1	1	2	2	2	0	7	1	1	0	2	0
20	5	3	4	0	1	0	4	3	2	0	1	0
21	3	1	1	0	2	0	3	0	4	0	2	0
22	1	0	0	0	1	0	1	0	1	0	1	0
23	2	0	0	0	1	0	2	0	0	0	1	0
24	2	0	0	0	0	0	2	0	0	0	0	0



## AVERAGE TRIP LENGTHS FOR SAMPLE 1 BY MODE DRIVER

HOUR	WORK	SHOP	SCHOOL	PB-MD	SR-EM	OTHER	H8WORK	H8SCL	H8SREM	H8BPTH	H8BTHR
1	18.6	0.	0.	20.0	15.8	19.0	16.6	0.	0.	20.0	15.4
2	15.9	0.	0.	0.	10.0	0.	15.9	0.	0.	0.	10.5
3	20.8	7.0	0.	0.	12.0	0.	20.4	7.0	0.	0.	12.0
4	15.6	26.0	0.	0.	15.0	0.	18.0	31.0	0.	0.	15.0
5	16.7	14.5	0.	0.	0.	6.0	16.9	4.0	0.	0.	6.0
6	17.4	18.5	13.6	17.0	8.1	15.5	17.4	18.5	13.6	17.0	14.3
7	17.1	11.4	10.3	15.9	10.1	11.5	17.7	11.3	10.8	16.0	10.1
8	16.2	11.9	9.6	12.0	13.1	11.0	16.8	12.8	9.5	12.2	13.5
9	15.3	11.2	17.2	13.1	12.0	0.	16.1	10.7	17.0	13.0	11.7
10	13.6	9.5	11.1	13.6	11.3	8.2	17.5	10.0	11.2	14.8	10.7
11	13.3	10.6	9.2	14.5	12.0	9.2	16.2	10.2	9.3	14.9	12.4
12	12.1	10.7	9.0	13.8	11.7	12.0	14.4	10.3	8.7	13.1	12.8
13	13.4	11.7	8.5	12.2	13.7	5.7	14.4	11.5	9.0	11.7	14.0
14	14.9	11.7	10.1	12.8	15.0	9.3	17.1	10.7	9.8	12.5	14.8
15	15.1	10.8	10.5	15.6	13.3	10.3	16.1	9.4	10.1	15.9	13.4
16	17.1	10.7	15.2	14.5	13.1	12.6	17.6	10.5	14.8	12.0	13.9
17	17.5	10.3	11.8	10.6	13.1	14.5	18.8	10.0	11.7	10.6	12.6
18	14.7	9.6	17.1	13.7	12.1	10.0	15.2	9.3	18.2	14.3	13.9
19	14.8	9.7	13.0	15.5	13.0	8.8	15.4	9.7	13.0	15.5	12.2
20	17.5	10.9	25.0	12.4	12.0	11.9	22.0	10.8	25.0	13.1	13.2
21	14.5	9.6	14.8	14.5	11.1	10.2	15.3	9.5	14.2	14.0	12.9
22	17.4	14.2	28.0	15.5	14.4	11.8	18.0	12.6	28.0	18.0	10.7
23	17.4	10.8	28.0	9.3	16.0	12.4	18.3	9.5	28.0	9.3	11.8
24	17.7	16.0	0.	17.5	15.2	7.2	17.5	16.0	0.	24.0	15.6



## AVERAGE TRIP LENGTHS FOR SAMPLE 1 BY MCOE PASNGR

HOUR	WDRK	SHOP	SCHOOL	PH-MD	SR-EM	OTHER	HBWORK	HESHDP	HB-SCL	HBPBMD	HBSREM	H-BOTHR
1	8.0	0.	0.	0.	13.0	0.	7.5	0.	0.	0.	13.0	0.
2	12.0	0.	0.	0.	11.3	0.	12.0	0.	0.	0.	11.3	0.
3	16.0	0.	0.	0.	0.	0.	16.0	0.	0.	0.	0.	0.
4	13.0	18.5	0.	0.	16.0	0.	13.0	16.0	0.	0.	16.0	0.
5	16.1	0.	0.	0.	22.0	0.	17.7	0.	0.	0.	22.0	0.
6	17.7	18.0	14.0	7.0	15.3	11.5	17.6	18.0	14.0	7.0	15.3	11.5
7	17.2	15.0	8.8	16.5	12.7	7.2	17.6	19.0	8.8	10.0	11.8	7.2
8	15.4	7.6	9.0	17.6	8.6	17.0	16.6	8.2	9.1	18.6	7.3	17.0
9	11.2	12.0	11.0	12.1	15.5	0.	9.9	12.4	13.0	12.4	15.4	0.
10	19.0	12.0	6.2	14.2	12.3	0.	18.7	13.1	7.7	15.0	13.3	0.
11	13.3	11.9	9.8	12.3	13.0	21.0	12.2	12.4	10.5	11.4	11.8	21.0
12	12.0	11.5	8.1	13.4	12.8	7.0	13.7	10.3	6.5	13.6	12.4	7.0
13	10.3	11.3	12.8	12.2	14.5	0.	6.0	10.7	11.7	11.8	16.0	0.
14	17.6	12.6	10.4	14.4	14.3	0.	16.5	11.5	10.6	10.2	13.6	0.
15	15.3	10.9	9.3	14.6	14.0	8.0	16.3	9.0	9.3	15.1	14.5	8.0
16	16.9	10.6	12.0	12.7	15.0	13.2	17.1	10.0	11.2	12.9	15.2	13.0
17	17.7	10.2	13.5	13.1	12.3	13.0	18.6	9.4	13.8	12.0	12.9	15.0
18	11.7	11.7	12.4	11.7	12.6	11.0	11.1	11.5	13.6	11.9	12.8	11.0
19	18.4	10.4	12.0	12.9	12.3	17.2	17.3	10.3	13.5	10.1	12.6	21.7
20	15.4	10.9	13.7	12.0	12.2	0.	15.3	10.7	15.0	12.0	12.6	0.
21	10.4	11.3	11.5	12.0	13.4	36.0	10.0	11.3	13.0	11.3	14.0	36.0
22	12.7	14.2	17.0	13.0	14.7	6.0	13.7	12.2	0.	13.0	14.7	6.0
23	13.3	0.	22.0	0.	13.3	26.7	18.1	0.	22.0	0.	12.9	29.3
24	16.4	10.0	19.0	14.0	15.6	0.	15.6	10.0	19.0	14.0	15.1	0.



## AVERAGE TRIP LENGTHS FOR SAMPLE 1 BY MODE TRANSIT

HOUR	WDRK	SHOP	SCHOOL	PG-MD	SR-EM	OTHER	HBWDRK	HPHSCP	HB-SCL	HBPMO	HBSREM	HBOTHR
1	0.	0.	0.	0.	0.	0.	0.	0.	0.	0.	0.	0.
2	0.	0.	0.	0.	0.	0.	0.	0.	0.	0.	0.	0.
3	0.	0.	0.	0.	0.	0.	0.	0.	0.	0.	0.	0.
4	0.	0.	0.	0.	0.	0.	0.	0.	0.	0.	0.	0.
5	21.7	0.	0.	0.	0.	0.	21.7	0.	0.	0.	0.	0.
6	16.3	0.	7.0	0.	15.0	0.	16.3	0.	7.0	0.	15.0	0.
7	19.7	0.	10.4	0.	20.0	0.	18.7	0.	10.4	0.	20.0	0.
8	18.8	15.5	9.9	12.7	0.	0.	18.8	15.5	9.9	12.5	0.	0.
9	16.7	20.7	21.5	12.0	10.0	0.	16.7	20.7	21.5	12.0	10.0	0.
10	14.8	17.2	13.5	21.7	0.	0.	14.8	17.2	13.5	21.7	0.	0.
11	13.0	19.7	12.2	6.2	0.	0.	13.0	19.7	12.2	0.	0.	0.
12	11.0	13.0	9.1	12.2	17.0	0.	0.	13.0	9.1	12.2	17.0	0.
13	15.3	21.5	17.0	12.7	0.	0.	15.4	21.5	0.	12.7	0.	0.
14	20.2	15.6	9.6	16.0	0.	18.0	19.3	15.6	9.6	16.0	0.	18.0
15	16.1	15.5	10.4	16.3	0.	8.0	15.5	19.0	10.3	16.5	0.	8.0
16	15.8	24.5	12.6	13.7	0.	18.0	15.5	19.0	12.3	13.7	0.	18.0
17	18.1	11.5	9.0	13.5	17.0	0.	18.2	11.5	9.0	13.5	17.0	0.
18	17.7	21.0	37.0	0.	19.0	18.3	17.8	17.5	37.0	0.	19.0	18.3
19	17.4	18.0	10.5	0.	12.0	0.	17.4	18.0	10.5	0.	12.0	0.
20	14.0	15.7	10.2	0.	15.0	0.	15.2	15.7	10.2	0.	15.0	0.
21	13.0	15.0	11.0	0.	11.0	0.	13.0	0.	11.0	0.	11.0	0.
22	12.0	0.	0.	0.	28.0	0.	12.0	0.	0.	0.	28.0	0.
23	14.5	0.	0.	0.	16.0	0.	14.5	0.	0.	0.	16.0	0.
24	13.5	0.	0.	0.	0.	0.	13.5	0.	0.	0.	0.	0.





APPENDIX C



## APPENDIX C

```

$IBFTC PEAKS  SMAP
  INTEGER P1, P2, P3, MODE(15), PURPF(15), PURPP(15), PURPT(15), TIM
  ES(15), TIMEA(15), COUNT(241,2,3,10), RECORD, CMD(6), PURP(9)
  INTEGER TS, TA
  INTEGER HOUR(240)
  INTEGER SUM
  DIMENSION TABLE(10), HOW(3), HH(241),WORK(500)
  DIMENSION X(242),Y(242)
  EQUIVALENCE (X(1),HH(2))
  DIMENSION TITLE(4),T301(3)
  DATA TITLE/6HEND OF,6H PERIOD,6HD - 0.,6H1 HOUR/,T301/6HTRIP A,
  $6HCUMUL,6HATIONS/
  DATA TABLE/6HWORK ,6HSHOP ,6HSCHOOL,6HPB/MD ,6HSR/EM ,6HOTHER ,
  $ 6HHBWORK,6HHB SHOP,6HHB/TOT,6HTOTAL /
  DATA HOW/6HORIVER, 6HHWPPER, 6HALLPER/
  DATA CMD/1,2,3,3,2,2/, PURP/1,2,3,4,5,4,5,6,6/
  DO 30 L = 1,10
  DO 30 K = 1,3
  DO 30 J = 1,2
  DO 30 I = 1,241
3  COUNT (I, J, K, L) = 0
  DO 40 I=1,9
4  HOUR(I)=0
  RECORD = 0
  WRITE (6,12)
  DO 36 I = 1,240
  HH(I+1)=FLOAT(I)/10.
36 CONTINUE
  HH(1)=0.0
  GO TO 1
7  READ (8,110) MODE(15), PURPF(15), PURPP(15), PURPT(15), TIMES(15),
  1 TIMEA(15)
  GO TO 69
1  READ (8,10) (MODE(I), PURPF(I), PURPP(I), PURPT(I), TIMES(I), TIME
  63  1A(I), I = 1,15)
  RECORD = RECORD + 1
  DO 31 N = 1,15
  IF (RECORD .EQ. 5064 .AND. N .LT. 15) GO TO 31
  TS=TIMES(N)+1
  TA=TIMEA(N)+1
  IF(TS.LT.241) GO TO 75
  TS=TS-240
75  IF(TA.LT.242) GO TO 76
  TA=TA-240
76  IF (TS .LT. 1 .OR. TA .LT. 2) GO TO 90
  IF (TS .GT. 240 .OR. TA .GT. 241) GO TO 90
  M = MODE(N)
  M = CMD(M)
  IF (M .LT. 1 .OR. M .GT. 3) GO TO 90
  P1 = PURPF(N)
  P2 = PURPP(N)
  P3 = PURPT(N)
  IF (P1 .LT. 0 .OR. P1 .GT. 9) GO TO 90
  IF (P2 .LT. 0 .OR. P2 .GT. 9) GO TO 90
  IF (P3 .LT. 0 .OR. P3 .GT. 9) GO TO 90
  IF (P1 .NE. 0 .AND. P3 .NE. 0) GO TO 61
  IF (P1 .EQ. 0) GO TO 62
  IF (P1 .GT. 2) GO TO 64
  COUNT(TS, 1, M, P1+6) = COUNT(TS, 1, M, P1+6) + 1
  COUNT(TA, 2, M, P1+6) = COUNT(TA, 2, M, P1+6) + 1
  GO TO 63

```



```

62 IF (P3 .EQ. 0) GO TO 90
   IF (P3 .GT. 2) GO TO 64
   COUNT(TS,1, M, P3+6) = COUNT(TS, 1, M, P3+6) + 1
   COUNT(TA, 2, M, P3+6) = COUNT(TA, 2, M, P3+6) + 1
   GO TO 63
64 IF (M .NE. 1 .OR. (P1 .NE. 8 .AND. P3 .NE. 8)) GO TO 63
   IF (P2 .NE. 1 .AND. P2 .NE. 2) GO TO 63
   COUNT(TS,1,1,P2+6) = COUNT(TS,1,1,P2+6) + 1
   COUNT(TA, 2, 1, P2+6) = COUNT(TA, 2, 1, P2+6) + 1
63 COUNT(TS, 1, M, 9) = COUNT(TS, 1, M, 9) + 1
   COUNT(TA, 2, M, 9) = COUNT(TA, 2, M, 9) + 1
   IF (P3 .EQ. 8 .AND. P1 .NE. 8 .AND. M .EQ. 1) P3 = P2
   IF (P1.EQ.0) P1=P3
   IF (P3.EQ.0) P3=P1
   P1 = PURP(P1)
   P2 = PURP(P2)
   P3=PURP(P3)
   IF (P1-P3) 66,67,67
66 COUNT(TS, 1, M, P1) = COUNT(TS, 1, M, P1) + 1
   COUNT(TA, 2, M, P1) = COUNT(TA, 2, M, P1) + 1
   GO TO 68
67 COUNT(TS, 1, M, P3) = COUNT(TS, 1, M, P3) + 1
   COUNT(TA, 2, M, P3) = COUNT(TA, 2, M, P3) + 1
68 COUNT(TS, 1, M, 10) = COUNT(TS, 1, M, 10) + 1
   COUNT(TA, 2, M, 10) = COUNT(TA, 2, M, 10) + 1
   GO TO 31
90 WRITE (6,11) RECORD, N
31 CONTINUE
   IF (5063-RECORD) 71, 70, 1
71 CONTINUE
   DO 35 L = 1,10
   DO 35 K = 1,3
   MAX=0
   MIN=0
   IF (K.EQ.3) GO TO 46
   DO 39 J=1,2
   DO 39 I=1,241
39 COUNT(I,J,K+1,L)=COUNT(I,J,K+1,L)+COUNT(I,J,K,L)
46 CONTINUE
   DO 44 I=2,232
   I8=I+8
   HOUR(I8)=0
   DO 44 J=I, I8
44 HOUR(I8)=HOUR(I8)+COUNT(J,1,K,L)
   DO 32 J = 1,2
   DO 32 I = 1,240
32 COUNT(I+1, J, K, L) = COUNT(I+1, J, K, L) + COUNT(I, J, K, L)
   IF (COUNT(241,1,K,L).NE.COUNT(241,2,K,L)) WRITE(6,16) TABLE(L),
$HOW(K)
   SUM =COUNT(240,1,K,L)
   DO 33 I = 1,240
   COUNT(I, 1, K, L) = COUNT(I, 1, K, L)-COUNT(I, 2, K, L)
33 IF (COUNT(I,1,K,L).LT.MIN) MIN =COUNT(I,1,K,L)
   IF (MIN) 72,73,91
72 DO 45 I=1,240
45 COUNT(1,1,K,L)=COUNT(I,1,K,L)-MIN
73 DO 41 I=10,240
   HOUR(I)=HOUR(I)+COUNT(I-9,1,K,L)
41 IF (HOUR(I).GT.MAX) MAX=HOUR(I)
38 WRITE(6,13) TABLE(L), HOW(K)
   DO 37 I1 = 1,40

```



```

      I2 = I1 + 200
37  WRITE(6,14)      (HH(I+1), HOUR(I),      I = 11,12,40)
      WRITE (6,15) SUM,MIN,MAX
35  CONTINUE
      WRITE(6,12)
      READ (5,19) L1,L2,K1,K2
      CALL PLOTS(WORK(1),500,0)
      CALL SYMBOL(0.0,0.0,0.2,10H3362*SHUNK,90.0,10)
      CALL PLOT(1.0,0.0,-3)
      DO 42 L=L1,L2
      DO 42 K=K1,K2
      DO 43 I=1,240
43  Y(I)=FLOAT(COUNT(I,1,K,L))
      CALL SCALE(X,12.0,240,1,10.0)
      CALL SCALE(Y,10.0,240,1,10.0)
      CALL AXIS(0.0,0.0,TITLE,-24,12.0,0.0,X(241),X(242),10.0)
      CALL AXIS(0.0,0.0,5HTRIPS,5,10.0,90.0,Y(241),Y(242),10.0)
      CALL SYMBOL(4.0,10.0,0.3,T301,0.0,18)
      CALL SYMBOL(5.0, 9.5,0.2,TABLE(L),0.0,6)
      CALL SYMBOL(7.0, 9.5,0.2,HOW(K),0.0,6)
      WRITE(6,17)(Y(I),I=1,242)
      CALL LINE(X,Y,240,1,1,5)
      IF(L.EQ.10.AND.K.EQ.3) GO TO 42
      CALL PLOT(13.0,0.0,-3)
42  CONTINUE
      CALL PLOT(0,0,999)
      STOP
91  WRITE(6,18) TABLE(L),HOW(K)
      STOP
1   FORMAT (15(41X, 4I1, 2I3, 33X))
110 FORMAT (41X, 4I1, 2I3)
11  FORMAT (25H INPUT DATA ERROR, RECORD, I5, 5H CARD, I3, 14H, CARD I
      IGNORED)
12  FORMAT (19H1PEAK HOUR ANALYSIS)
13  FORMAT(1H1, 35X, 51H1TADS-PURDUE 1964 TRIP ACCUMULATIONS IN THE S
      YSTEM// 45X, 5HTABLE, 1X, A6, 3X, 3H---, 3X, 4HMODE, 1X, A6/////
      22X, 6(3X, 6HPERIOD, 2X, 5HTRIPS, 4X)/ 2X, 6(3X, 6H-----, 2X, 5H-
      3---, 4X)//)
14  FORMAT (2X,6(4X,F4.1,3X,I5,4X))
15  FORMAT (///37HOSUM OF 24 HOUR TRIPS IN THE CATEGORY,I7/14H MINIMUM
      $ VALUE,23X,I7/1X,13HMAXIMUM VALUE,23X,I7)
16  FORMAT(15H CHECKSUM ERROR,2(2X,A6))
17  FORMAT (1H0,16F7.0/(1X,16F7.0))
18  FORMAT (1X,19HMINIMUM VALUE ERROR,2(2X,A6))
19  FORMAT (4I6)
      END

```





```

$IBFTC LENGTH  SMAP,DECK
      REWIND 8
      REWIND 9
      INTEGER DZONE, DZONE, RFCORD, DCARD, DCARD
      INTEGER CARD(17,15), EQUIV(790), TREE1(428), TREE2(428), TREE3(428)
      RECORD = 0
      MAX1= 0
      MAX2= 0
      MAX3= 0
      INDEX=0
      NERR = 0
      JPD = 1
      CALL SLITE(0)
      CALL SLITE(1)
      CALL RDBIN(TREE1(1), TREE2(1), TREE3(1), INDEX)
      READ (5,11) EQUIV
      ICK1 = 0
      START = TIME(DUM)/1000.
      TSTART = START/3600.
      WRITE (6,17) TSTART
1      READ (8,10) CARD
60     RECORD = RECORD + 1
      DO 30 I = 1,15
      IF (RECORD .EQ. 5094 .AND. I .GT. 1) GO TO 67
      DCARD = CARD(6,I)/10
      DCARD = CARD(8,I)/10
      DO 31 J = JPD, 789, 2
      JPD = J
      IF ( DCARD -EQUIV(J)) 90,61,31
31     CONTINUE
      GO TO 90
61     CZONE = EQUIV(J+1)
      IF (DZONE-INDEX) 90,64,63
63     CALL RDBIN
      CALL SLITET(1,IEOF)
      IF (IEOF .EQ. 1) GO TO 91
      JPD=1
64     IF (CARD(14,I)) 90,165, 90
165    IF (CARD(13,I)) 90,265, 90
265    IF (CARD(17,I)) 90, 65, 90
65     DO 32 J = JPD, 789, 2
      JPD = J
      IF ( DCARD -EQUIV(J)) 69,62,32
32     CONTINUE
      GO TO 90
62     DZONE = EQUIV(J+1)
      CARD(14,I) = TREE1(DZONE+1)
      CARD(13,I) = TREE2(DZONE+1)
      CARD(17,I) = TREE3(DZONE+1)
      IF (CARD(14,I) .GT. MAX1)MAX1= CARD(14,I)
      IF (CARD(13,I) .GT. MAX2)MAX2= CARD(13,I)
      IF (CARD(17,I) .GT. MAX3)MAX3= CARD(17,I)
      GO TO 30
69     IF (CARD(6,I) .EQ. DCARD*10) GO TO 90
      JPD = 1
      GO TO 65
90     WRITE (6,12) RECORD , I, JPD, EQUIV(JPD), EQUIV(JPD+1), JPD,
$      EQUIV(JPD), EQUIV(JPD+1), CZONE, DZONE, INDEX
      WRITE (6,210)(CARD(N,I), N=1,17)
      NERR = NERR + 1
      IF (NERR .LT. 100) GO TO 30

```



```

WRITE (6,15)
GO TO 68
30 CONTINUE
67 WRITE (9,10) CARD
   ICK = RECD/100 - ICK1
   IF (ICK .LT. 1) GO TO 70
   PHASE = TIME(DUM)/1000. - START
   WRITE (6,16) RECD, PHASE
   ICK1 = RECD/100
   START = TIME(DUM)/1000.
70 IF (RECD-5093) 1, 2, 66
2  READ (9,110) (CARD(I,1), I = 1,17)
   DO 34 J = 2, 15
   DO 33 I = 1,17
33  CARD(I,J) = 0
   CARD(6,J) = 9999
34  CARD(8,J) = 9999
   GO TO 60
66  CALL SLITE(2)
   CALL ROBIN
   WRITE (6,13) MAX1, MAX2, MAX3
   GO TO 68
91  WRITE (6,14) RECD, I, INDEX
68  CONTINUE
   END FILE 9
   REWIND 9
   REWIND 8
   STOP
10  FORMAT (15(4A6, A5, I4, A4, I4, 4A6, 2I2, 2A6, I3))
110 FORMAT (4A6, A5, I4, A4, I4, 4A6, 2I2, 2A6, I3)
210 FORMAT (2CX, 4A6, A5, I4, A4, I4, 4A6, 2I2, 2A6, I3)
11  FORMAT (2(CX, I3))
12  FORMAT (1X, 18HDATA OR SORT ERROR, I6, I4, 9I4)
13  FORMAT(1X, 23HMAXIMUM TREE TIMES WRE, 3I8)
14  FORMAT (1X, 25HEND OF FILE CN TREE INPUT, I6, I4, I4)
15  FORMAT (30H NUMBER OF ERRORS EXCEED LIMIT)
16  FORMAT (25HOPHASE TIME CHECK, RECD, I5, 5H TOOK, F8.3,
   & 8H SECONDS)
17  FORMAT(22HPROCESSING STARTED AT, F7.3)
END
$IBMAP BINTR DECK
ROBIN SAVE
SLT 2
TRA **2
TRA END
SLT 1
TRA R00N
CLA 3,4
STA TR01
STA TR01+1
CLA 4,4
STA TR02
STA TR02+1
CLA 5,4
STA TR03
STA TR03+1
CLA 6,4
STA TR01+3
STA TR02+3
STA TR03+3
TSX .OPEN,4

```



```

PZE      TREE01
TSX      .OPEN,4
PZE      TREE02
TSX      .OPEN,4
PZE      TREE03
TRA      BACK
RCDN     TSX      .READ,4
PZE      TREE01,,ERR
PZE      EOF,,ERR
TRO1     IORT     **,,**
CLA      **
ARS      18
STO      **
TSX      .READ,4
PZE      TREE02,,ERR
PZE      EOF,,ERR
TRO2     IORT     **,,**
CLA      **
ARS      18
CAS      **
TRA      ERROR
TRA      **2
TRA      ERROR
TSX      .READ,4
PZE      TREE03,,ERR
PZE      EOF,,ERR
TRO3     IORT     **,,**
CLA      **
ARS      18
CAS      **
TRA      ERROR
TRA      **2
TRA      ERROR
BACK     RETURN  RDBIN
EOF      SLN     1
END      TSX      .CLOSE,4
PZE      TREE01
TSX      .CLOSE,4
PZE      TREE02
TSX      .CLOSE,4
PZE      TREE03
TRA      BACK
ERRR     TSX      .WRITE,4
PZE      .UN06.,,ERR
IORT     MESAG,,5
TRA      EOF
ERR      TRA      SYSDMP
TREE01  FILE     ,UT5,BLK=428,LOW,BIN,HOLD,INPUT,MOUNT
TREE02  FILE     ,UT6,BLK=428,LOW,BIN,HOLD,INPUT,MOUNT
TREE03  FILE     ,UT7,BLK=428,LOW,BIN,HOLD,INPUT,MOUNT
MESAG   BCI      5, ERROR IN TREE CORRELATION
END

```



```

$IBFTC RANDOM DECK, SMAP
COMMON/A/NUMBER(11500), ITEM
COMMON/B/START, IRUN, ISTEP, PASSED
EXTERNAL MOVE, COMPAR, KEYLOC
REWIND 8
TSTART = TIME(XD) / 3600000.
DSTART = DATE(XD)
WRITE(6,11 ) DSTART, TSTART
IRUN = 0
SIZE = 86396.
61  START = TIME(XD)/1000.
    IRUN = IRUN + 1
    WRITE(6, 12 ) IRUN, START
    ISTEP = 0
    SIZE = SIZE-10000.
    DO 31 I = 1,11500
62  NUMBER(I) = IFIX(SIZE*FLRAN(XD))
    IF(NUMBER(I)) 62,62,31
31  CONTINUE
    CALL POST
    CALL QIKS(1,11500,MOVE,COMPAR,KEYLOC)
    CALL POST
    NRPT = 0
    DO 32 I = 2,11500
    IF(NUMBER(I-1).NE.NUMBER(I)) GO TO 32
    NUMBER(I-1) = 0
    NRPT = NRPT+1
32  CONTINUE
    CALL POST
    NELIM = 0
    NEXTRA = 1500-NRPT
    IF(NEXTRA) 91,164,63
63  EXTRA = NEXTRA
    RANGE = (10000.+EXTRA)/EXTRA
    ISTART = RANGE*FLRAN(XD)
    ISTART = IABS(ISTART)
    WRITE (6,14) IRUN, ISTART, RANGE, NEXTRA
    I1 = ISTART - 1
    DO 132 I=1,10
    I1 = I1 + 1
    IF (NUMBER(I1).EQ.0) GO TO 132
    NUMBER(I1) = 0
    NELIM = 1
    GO TO 363
132 CONTINUE
    WRITE (6,15) ISTART, IRUN
    GO TO 68
263 CONTINUE
363 H = ISTART
    DO 34 I=2,NEXTRA
    H = H + RANGE
    L = H + 0.5
    IF (NUMBER(L) .EQ. 0) GO TO 163
    NUMBER(L) = 0
    GO TO 64
163 DO 33 J = 1,9
    K5 = L + J
    IF(NUMBER(K5) .EQ.0) GO TO 33
    NUMBER(K5) = 0
    GO TO 64
33 CONTINUE

```





```

WRITE(6, 15 ) I, IRUN
GO TO 68
64  NELIM = NELIM+1
34  CONTINUE
    IF(NELIM.EQ.NEXTRA) GO TO 164
    WRITE (6,16) IRUN,NEXTRA, NELIM
    GO TO 68
164  CALL PUST
    J1 = 1
    NZERO = 0
    DO 35 I=1,11500
    IF(NUMBER(I).NE.0) GO TO (35,67),J1
    NZERO = NZERO + 1
    GO TO (65,66),J1
65  J1 = 2
    K = 0
66  K = K+1
    GO TO 35
67  K6 = I - K
    NUMBER(K6) = NUMBER(I)
35  CONTINUE
    IF (NZERO .EQ. NELIM*NRPT) GO TO 167
    WRITE (6,17) IRUN, NZERO, NELIM, NRPT
    GO TO 68
167  CALL PUST
    WRITE (8,18) (NUMBER(I),I=1,10000)
    TCHECK = TIME(XD)/60000. - TSTART*60.
    PHASE = PASSED / 60.
    IF (TCHECK+PHASE .LE. 10.0) GO TO 267
    WRITE (6,23) IRUN, TCHECK
267  IF (IRUN .LT. 5) GO TO 61
    WRITE (6,19) (NUMBER(I),I=1,10000)
    GO TO 69
91  WRITE(6,13 ) IRUN, NEXTRA
68  WRITE (6,20)
69  END FILE #
    REWIND #
    TEND = TIME(XD)/60000.
    ELAPSE = TEND-TSTART*60.
    WRITE (6,21) ELAPSE
    STOP
11  FORMAT (39HIRANDOM NUMBER GENERATION AND SORT, RUN, FR.1,
$ 12H, START TIME, F7.3)
12  FORMAT (4H RUN, I2, 11H STARTED AT, F10.3)
13  FORMAT (22HOERROR AFTER SORT, RUN, I2, 14H EXTRA NUMBERS, I7)
14  FORMAT (25HOAT DELETION PHASE OF RUN, I2, 13H START WAS AT, I3,
$ 12H WITH GAP OF, F8.4, 10H TO DELETE, I5, 8H NUMBERS)
15  FORMAT (33HOZERO SEQUENCE ERROR, STARTING AT, I4, 7H ON RUN, I2)
16  FORMAT (29HOELIMINATION CHECK ERROR, RUN, I2, 8H, EXTRA=, I4,
$ 13H, ELIMINATED=, I4)
17  FORMAT (23HOFINAL CHECK ERROR, RUN, I2, 8H, ZEROS=, I4,
$ 13H, ELIMINATED=, I4, 10H, REPEATS=, I4)
18  FORMAT (1000I5)
19  FORMAT (12H1NORMAL EXIT/(1X,20I6))
20  FORMAT (14HIABNORMAL EXIT/1H1)
21  FORMAT (20HOTIME SINCE START IS, F7.3)
23  FORMAT (32HOTIME CONSTRAINT IS BINDING, RUN, I2,
$ 21H, TIME OF TERMINATION, F10.3)
END

```



```

$IBFTC SAMPLR SMAP,DECK
COMMON /B/START, IRUN, ISTEP, PASSED
REAL LENGTH(24,12,3)
INTEGER COUNT(24,12,3),T,P,PF,PP,PT,M,CMD(6),PJR(9), TS, TA
DIMENSION INED(7,315), NUMBER(1000), IOUT(5), IN(5)
DIMENSION TITLE(3),HEAD(12)
DATA CMD/1,2,3,3,2,2/,PURP/1,2,3,4,5,4,5,6,6/
DATA TITLE/6HDIRVFR,6HPASNGR,6HTRNSIT/,
$ HEAD/4HWORK,4HSHOP,6HSCHOOL,5HPB-MD,5HSR-EM,5HOTHER,6HHBWORK,
$ 6HHBSHOP,6HHB-SCL,6HHRPMD,6HHBSREM,6HHBOTH/
DATA IOUT/3,2,3,2,0/, IN/0,3,2,3,2/
REWIND 2
REWIND 3
REWIND 8
REWIND 9
IRUN = 0
NNR = 0
NERR = 0
NS = 0
ISIZE = 76397
NN = 1000
NDRBI = 5094
NCLRI = 1
61 IRUN = IRUN+1
START = TIME(DUM)/1000.
WRITE(6, 11) IRUN, START
ISTART = 1
ISTEP = 100*IRUN
ISIZE = ISIZE - NS
NUMBER(1000) = ISIZE
NS = 0
NCST = 0
NC = 0
NDR = 0
NDRBO = 0
DO 33 K=1,3
DO 33 J=1,12
DO 33 I=1,24
LENGTH(I,J,K)=0.
COUNT(I,J,K)=0
53 CONTINUE
NI = IN(IRUN)
NO = IOUT(IRUN)
261 IF (NERR .GT. 100) GO TO 94
IF (NN.LT.1000) GO TO 62
NMPREV = NUMBER(1000)
READ(9, 12) NUMBER
NNR = NNR+1
NI = I
IF (NUMBER(1)) 91,91,161
161 NC = NMPREV - NUMBER(1) + NC
CALL POST
IF (NCST .EQ. 0) GO TO (140,78,78,78,78), IRUN
GO TO 65
62 NN = NN+1
IF (NUMBER(NN)) 91,91,64
64 NC = NUMBER(NN-1) - NUMBER(NN) + NC
65 IF (NC.GT.NCST) GO TO 73
IF (NC .LT. 1 .OR. NC .GT. 315) GO TO 93
NS = NS+1
M = INFO(1,NC)

```



```

PF = INFO(2,NC)
PP = INFO(3,NC)
PT = INFO(4,NC)
TS=INFO(5,NC)
TA = INFO(6,NC)
S = INFO(7,NC)
M=CMD(M)
IF (M.LT.1.OR.M.GT.3)GO TO 90
IF (PF.EQ.8.AND.PP.NE.0) PF = PP
IF (PT.EQ.8.AND.PP.NE.0) PT = PP
IF (PF.NE.0.AND.PT.NE.0) GO TO 67
IF (PF.EQ.0.AND.PT.EQ.0) GO TO 90
P = MAX0(PF,PT)
P = PURP(P)
GO TO 68
67 PF=PURP(PF)
PT=PURP(PT)
P = MIN0(PF,PT)
68 IF (P.LT.1.OR.P.GT.6) GO TO 90
IF (TS.GT.TA) GO TO 71
T= (TS+TA)/20
69 IF(T.LT.1.OR.T.GT.24) GO TO 90
INFO(1,NC) = 0
COUNT(T,P,M)=COUNT(T,P,M)+1
LENGTH(T,P,M)=LENGTH(T,P,M)+S
IF(PF.NE.0.AND.PT.NE.0) GO TO 70
COUNT(T,P+6,M)=COUNT(T,P+6,M) + 1
LENGTH(T,P+6,M)=LENGTH(T,P+6,M) + S
70 IF(NS.LT.1000) GO TO 261
IF (NDR .NE. NDRBI) GO TO 92
GO TO 72
71 T= (TS+TA+240)/20
IF(T.GT.24) T=T-24
GO TO 69
72 DO 34 I = 1,3
DO 34 J=1,12
DO 34 K=1,24
34 LENGTH(K,J,I)= LENGTH(K,J,I)/FLOAT(COUNT(K,J,I))
DO 35 K=1,3
WRITE(6,13) IRUN,TITLE(K),HEAD
DO 35 I=1,24
WRITE(6,14) I, (COUNT(I,J,K), J=1,12)
PUNCH 19, (COUNT(I,J,K), J = 1,12), K,I
35 CONTINUE
DO 36 K=1,3
WRITE (6,15) IRUN,TITLE(K),HEAD
DO 36 I=1,24
WRITE(6,16) I, (LENGTH(I,J,K), J=1,12)
PUNCH 19, (LENGTH(I,J,K),J=1,12),K,I
36 CONTINUE
GO TO 173
66 END FILE NO
REWIND 2
REWIND 3
WRITE (6,24) IRUN, NDRBO,NCLRO, NS, NDRBI, NCLRI
ISTEP = 49 + 100*IRUN
CALL POST
NDRBI = NORBO
NCLRI = NCLRO
IF (IRUN .LT. 4) GO TO 61
REWIND 8

```



```

REWIND 9
STOP
73  IF (IRUN .LT. 4) GO TO 173
    LEFT = 0
    NCST = 0
    NC = NC - 315
    GO TO 78
173  NZ = 0
    JI = 1
    DO 38 I=1,NCST
    IF(INFO(1,1) .NE.0) GO TO (38, 76),J1
    GO TO (74,75), J1
74   JI = 2
    K=0
75   K = K+1
    NZ=NZ+1
    GO TO 38
76   KK=I-K
    DO 37 J=1,7
    INFO(J,KK) = INFO(J,I)
37   CONTINUE
38   CONTINUE
    REM = NCST - NZ
    ITOP=REM-34.
    IF (ITOP .LT.35) GO TO 176
    DO 39 L=1,ITOP,35
    KK=L+34
    WRITE (NO) ((INFO(I,J), I=1,7), J=L,KK)
    NDRBO = NDRBO+1
39   CONTINUE
176  LEFT = AMOD(REM,35.)
    IF (NS .LT. 10000) GO TO 139
    K = KK + 1
    KK = KK + LEFT
    WRITE (NO) ((INFO(I,J), I=1,7), J=K,KK)
    NDRBO = NDRBO + 1
    NCLRO = LEFT
    GO TO 66
139  NC = NC - NCST + LEFT
    NCST = LEFT
    DO 40 J=1,LEFT
    JJ=J+KK
    DO 40 I=1,7
    INFO(I,J) = INFO(I,JJ)
40   CONTINUE
    ISTART=LEFT+1
    IF(IRUN.GT.1) GO TO 78
    DO 41 I=ISTART,301,15
    IF (NDR .EQ. NDRBI) GO TO 141
    IF(NDR.EQ.5093) GO TO 77
    II=I+14
    READ(8, 21 ) ((INFO(J,K), J=1,7), K=I,II)
    NCST = NCST+15
    NDR=NDR+1
41   CONTINUE
    GO TO 65
141  IF (NC .GT. NCST) GO TO 93
    GO TO 65
77   READ(8,121 ) (INFO(J,I), J=1,7)
    NCST=NCST+1
    NDR=5094

```





```

REWIND 9
GO TO 65
73  CO 42 I=ISTART,281,35
    IF(NDR.EQ.NDRBI) GO TO 142
    I1=I+34
    IF (NDR .LT. NDRBI-1) GO TO 79
    NCST = NCST - 35 + NCLRI
    I1 = I + NCLRI - 1
79  READ(NI) ((INFO(J,K), J=1,7), K=I,I1)
    NCST = NCST + 35
    NDR=NDR+1
42  CONTINUE
    GO TO 65
142 IF (NC .GT. NCST) GO TO 93
    GO TO 65
90  NREC = ISIZE - NUMBER(NN)
    WRITE (6,17) NREC, (INFO(LL,NC),LL=1,7), M, P, T
    NERR = NERR + 1
    GO TO 261
91  WRITE(6, 20 ) IRUN, NN, NUMBER(NN)
    NERR = NERR + 1
    GO TO 261
92  WRITE (6,23) IRUN, NDR, NDRBI
    NERR = NERR + 1
    GO TO 72
93  WRITE (6,22) IRUN, NC, NCST, NN, NUMBER(NN)
    NERR = NERR + 1
    GO TO 72
94  WRITE (6,25) IRUN, NN
    REWIND 2
    REWIND 3
    REWIND 8
    REWIND 9
    STOP
10  FORMAT (1H1)
11  FORMAT (4H RUN, I2, 11H STARTED AT, F10.3)
12  FORMAT (100I5)
13  FORMAT (1H1,39X,22HTRIP COUNTS FOR SAMPLE,I2,9H BY MODE ,A6///
    $ 6X,4HHOUR,6X,12(3X,A6)/6X,4H----,6X,12(3X,6H-----)//)
14  FORMAT(6X, I3, 6X, 12(3X, I6))
15  FORMAT(1H1,39X,31HAVERAGE TRIP LENGTHS FOR SAMPLE,I2,9H BY MODE ,
    $ A6///6X,4HHOUR,1X,12(3X,A6)/6X,4H----, 1X, 12(3X,6H-----)//)
16  FORMAT (6X,I3,1X,12(3X,F6.1))
17  FORMAT (22H CARD IN ERROR, RECORD, 8I6, 3I8)
18  FORMAT(12I6, 2HCT, 2I3)
19  FORMAT (12F6.1,3HLEN,I2,I3)
20  FORMAT (25HOBAD RANDOM NUMBER ON RUN, I2, 5H, NN=, I6,
    $ 11H, NUMBER IS, I6)
21  FORMAT (15(4I1, 4I1, 2I3, 18X, I2, 13X))
121 FORMAT (4I1, 4I1, 2I3, 18X, I2, 13X)
22  FORMAT (24HDATA SEEKING ERROR, RUN, I2, 14H, CARD SOUGHT=, I4,
    $ 15H, CARDS STORED=, I4, 5H, NN=, I5, 9H, NUMBER= I5)
23  FORMAT (27HORUN TERMINATION ERROR, RUN, I2, 15H, RECORDS READ=,
    $ I4, 24H, RECORDS ON INPUT TAPE=, I4)
24  FORMAT (4H1RUN, I2, 9H PRODUCED, I5, 18H DATA RECORDS WITH, I4,
    $ 22H CARDS IN LAST RECORD, I6, 14H SAMPLES, FROM, I5,
    $ 14H INPUT RECORDS, I3, 14H CARDS OVERLAP)
25  FORMAT (49HNUMBER OF ERRORS EXCEEDS TOLERABLE LIMIT, AT RUN, I2,
    $ 8H, NUMBER, I5)
    END

```



VITA



## VITA

Gordon Arthur Shunk was born December 23, 1938, in Kankakee, Illinois. He attended elementary schools there and was graduated from Kankakee High School in June, 1956.

He attended DePauw University from September, 1956, until June, 1959, majoring in pre-engineering sciences and mathematics. The A.B. degree was awarded in June, 1961.

He transferred to Purdue University in June, 1959, and was awarded the B.S.C.E. degree in June, 1961, and the M.S.C.E. degree in June, 1962. From June, 1962, until January, 1964, he was employed as a Highway Engineer (Trainee) by the U. S. Bureau of Public Roads. He returned to Purdue in February, 1964, to work on the Ph.D. and has been employed as a Graduate Instructor in Research since that time.

He is a Student Member of the Institute of Traffic Engineers, an Associate Member of the American Society of Civil Engineers, and an Academic Supporting member of the Highway Research Board. He is a member of Chi Epsilon and Tau Beta Pi and an Associate Member of the Society of the Sigma Xi.

He is married and has one son.





